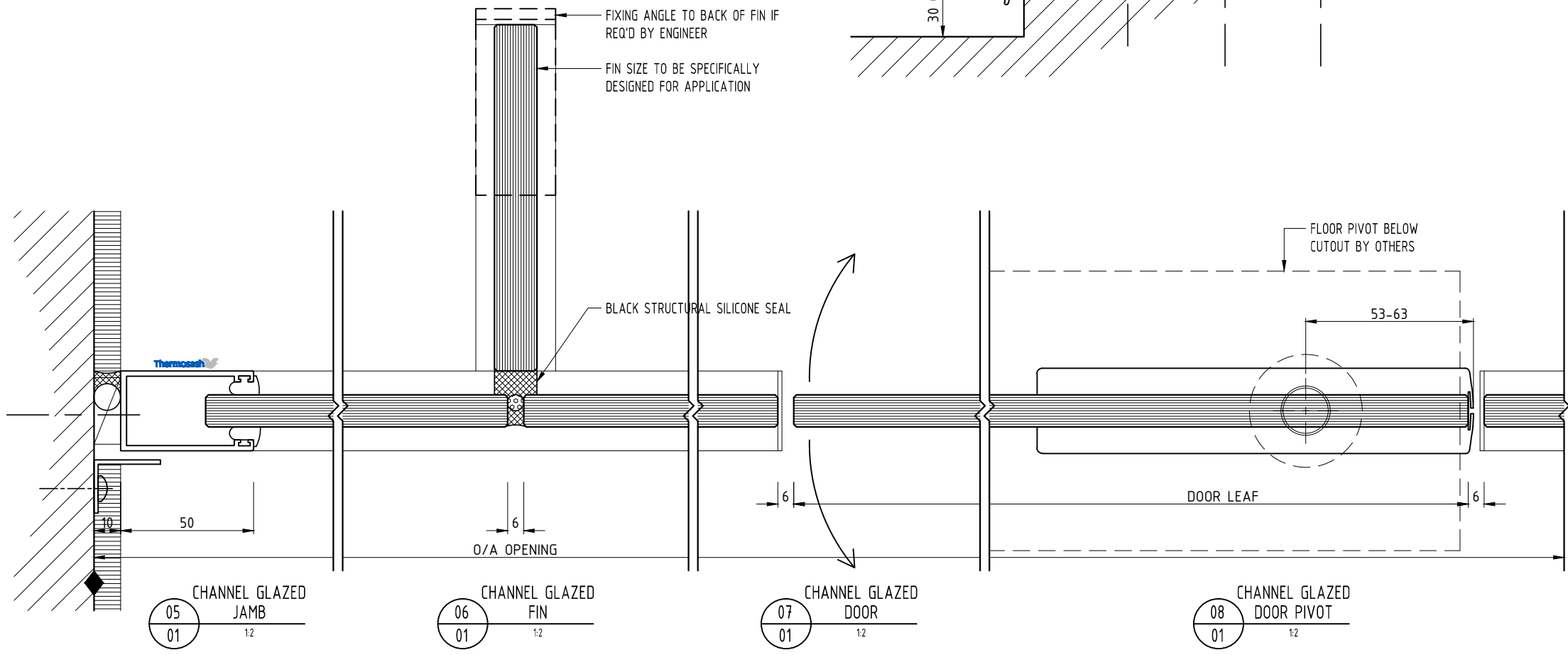
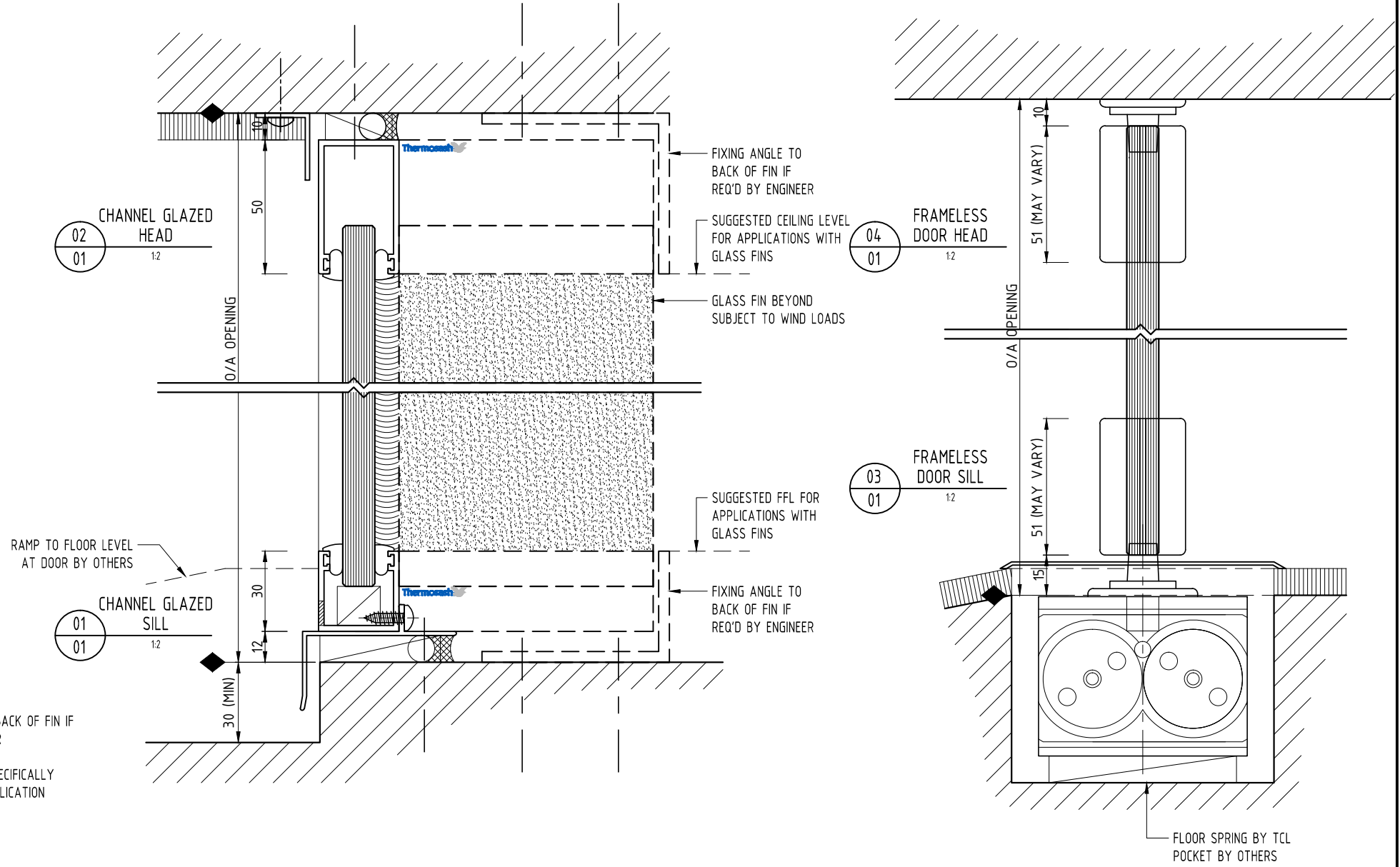


NOTES:
 1) DRAWING TO BE USED IN CONJUNCTION WITH 'MASTERSPEC' (4521)
 2) WINDOW SYSTEMS REQUIRE SPECIFIC DESIGN DEPENDING ON SPANS, WIND-LOADS, CLADDING SPECIFIED, ETC.
 3) INSIDE GLAZE, INTERNAL REINFORCEMENT AND SEISMIC FRAME OPTIONS AVAILABLE

GLAZING: GLASS THICKNESS TO SUIT REQUIREMENTS
 HARDWARE: VARIOUS STANDARD HARDWARE OPTIONS AVAILABLE (OR CALL TO DISCUSS SPECIFIC COMPONENTS)
 FINISHES: POWDER-COAT / ANODISED / PVF²

DESIGN OF FALLS AND WEATHERING OF DOOR OPENING BY ARCHITECT



SYSTEM: CHANNEL GLAZING	TYPE: SINGLE GLAZED	SCALE: 1:2 @ A3	DATE: Dec-12
www.thermosash.co.nz ~AUCKLAND: (09)444-4944 ~WELLINGTON: (04)939-4500 ~CHRISTCHURCH: (03)348-4004		PAGE: C-01	 BUILDING ENVELOPE SOLUTIONS™

P:\CONTRACTS\700-SERIES\739-00-MANUAL\For_Website\Channel_Glazing\Channel_Glazing_SINGLE_GLAZED-2.dwg