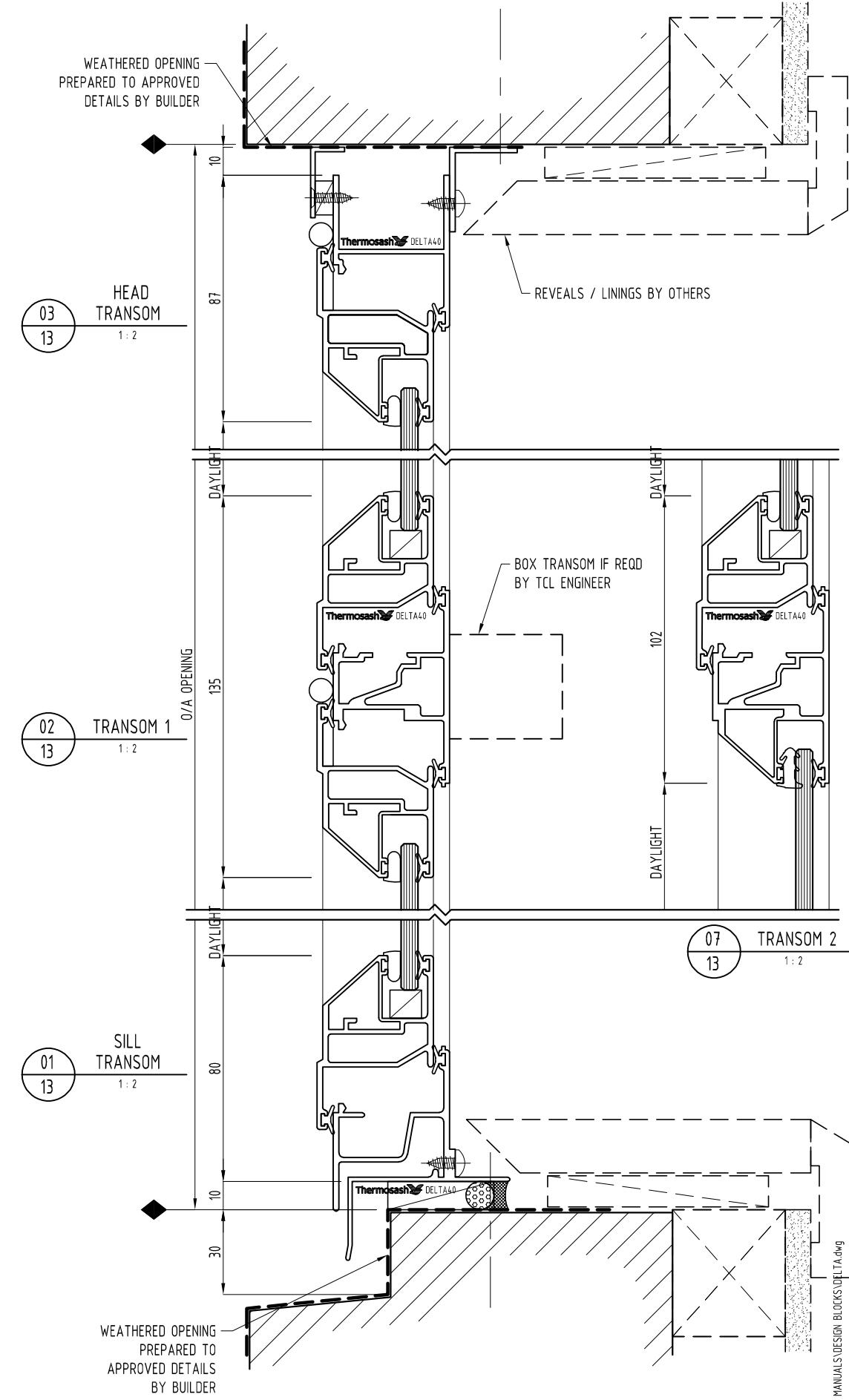
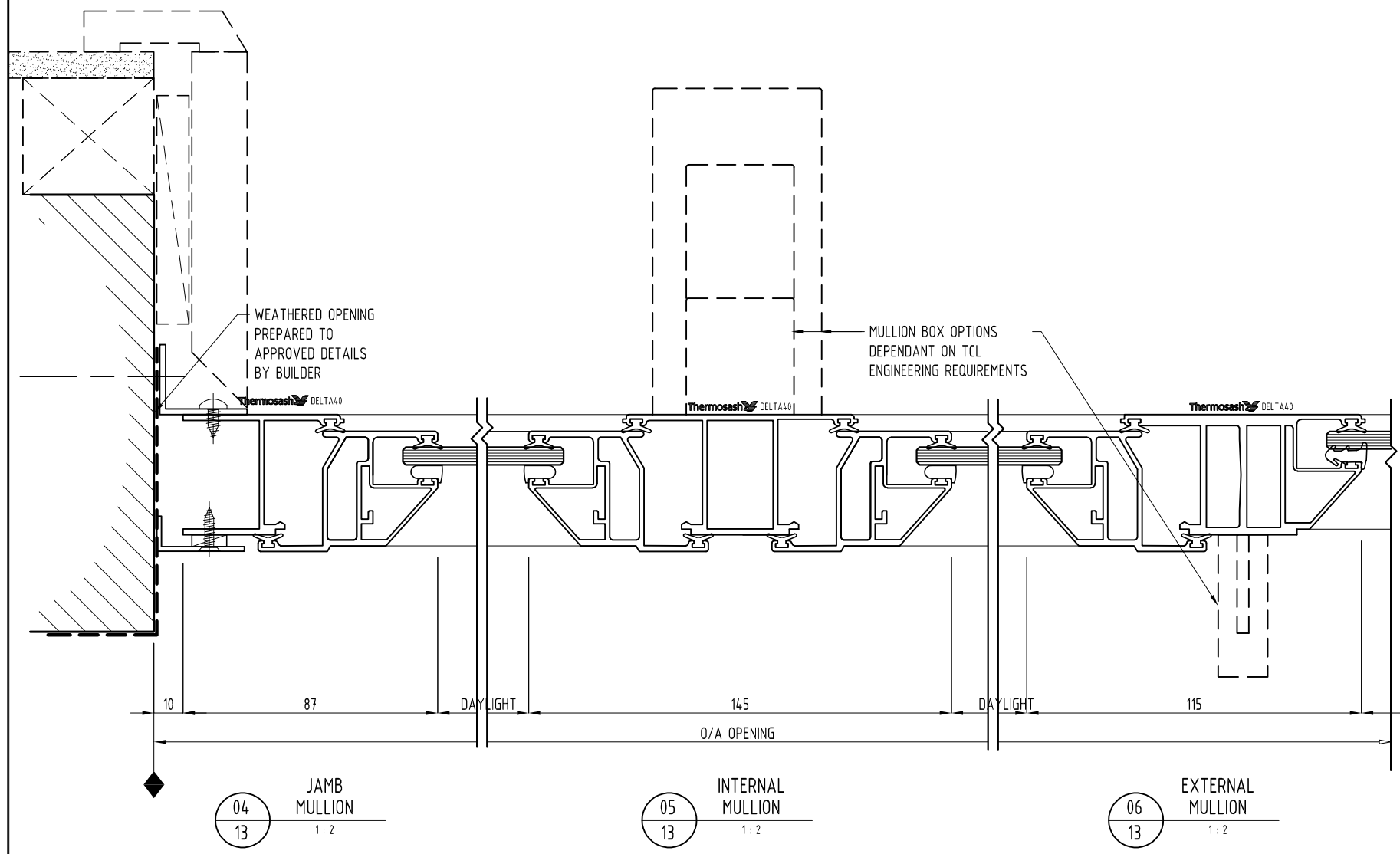


NOTES:
 1) DRAWING TO BE USED IN CONJUNCTION WITH 'MASTERSPEC' (4521)
 2) WINDOW SYSTEMS REQUIRE SPECIFIC DESIGN DEPENDING ON SPANS, WIND-LOADS, CLADDING SPECIFIED, ETC.
 3) INSIDE GLAZE, INTERNAL REINFORCEMENT AND SEISMIC FRAME OPTIONS AVAILABLE

GLAZING: GLASS THICKNESS TO SUIT REQUIREMENTS
 HARDWARE: STANDARD HARDWARE OPTIONS
 FINISHES: POWDER-COAT / ANODISED / PVF²



SYSTEM : DELTA40 HEAVY DUTY COMMERCIAL	TYPE : HEAVY DUTY COMMERCIAL SLOPED BEAD TOP HUNG VENT SINGLE GLAZED	SCALE: 1:2 @ A3	DATE: Mar-15	
		PAGE: D-13		
www.thermosash.co.nz ~AUCKLAND: (09)444-4944 ~WELLINGTON: (04)939-4500 ~CHRISTCHURCH: (03)348-4004				

P:\TCL MANUALS\DESIGN BLOCKS\DELTA.dwg