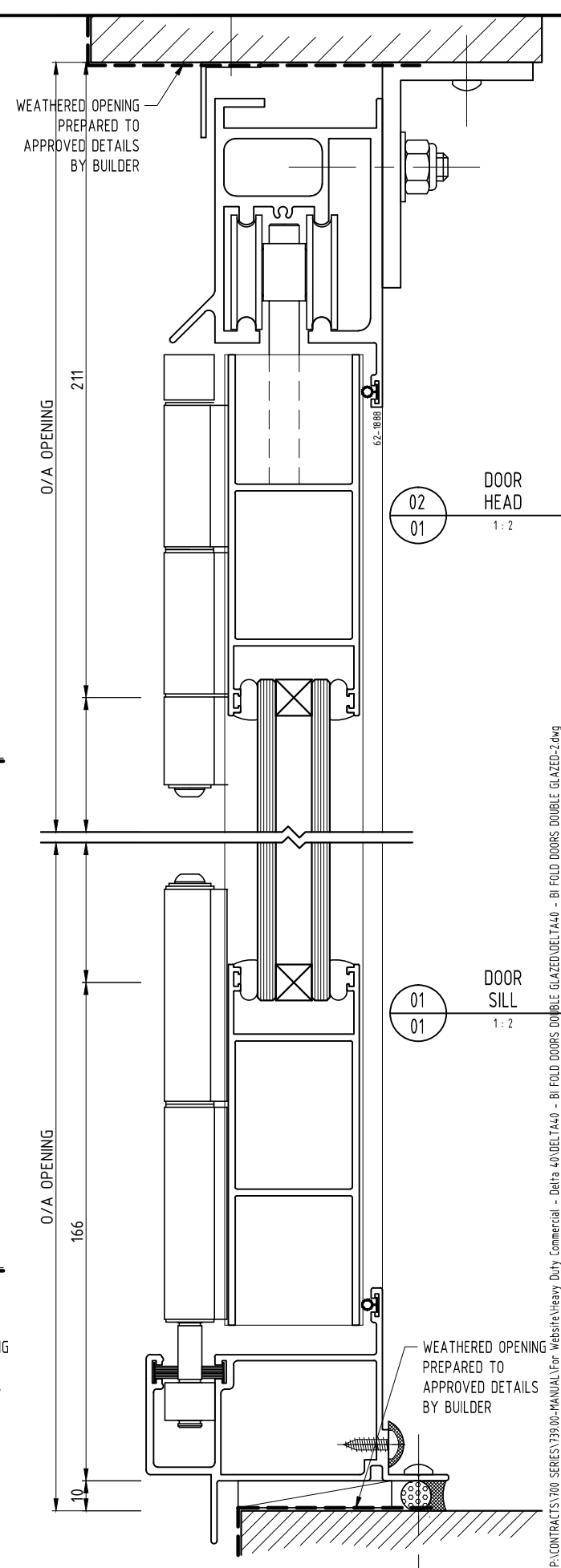
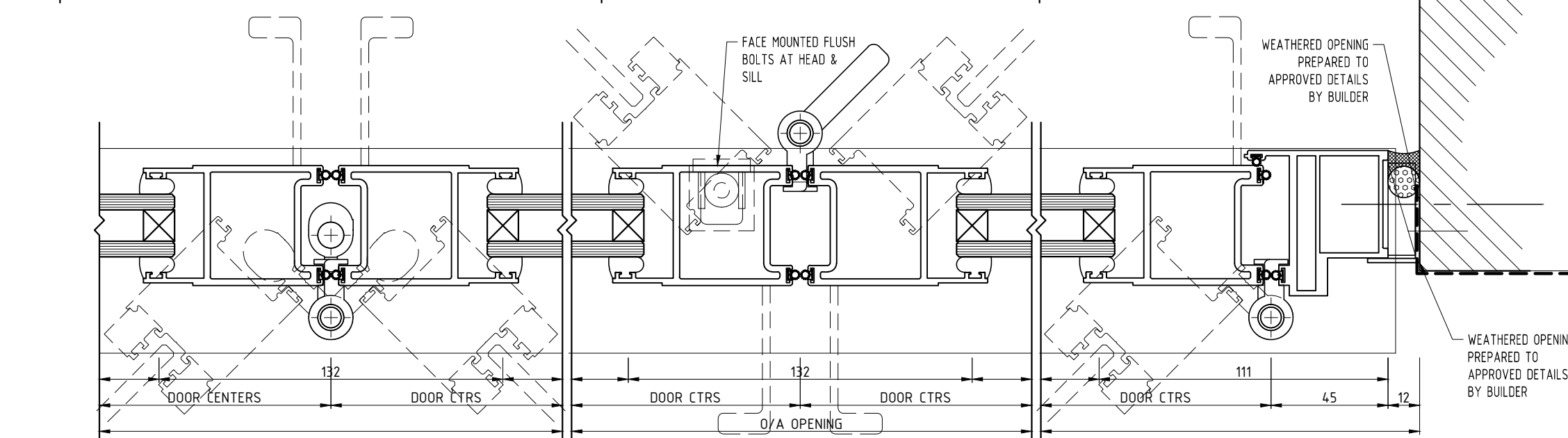
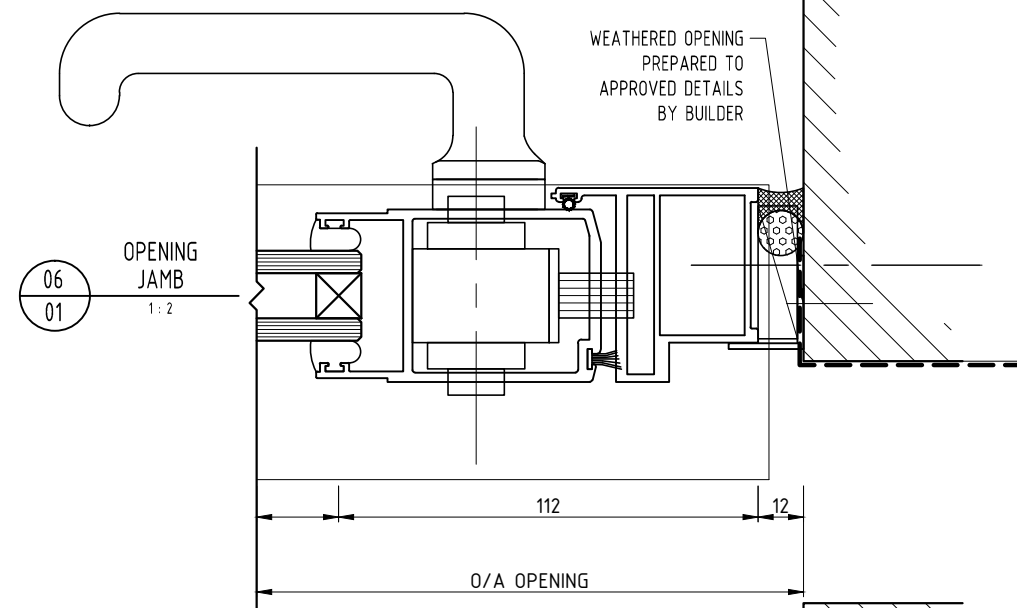
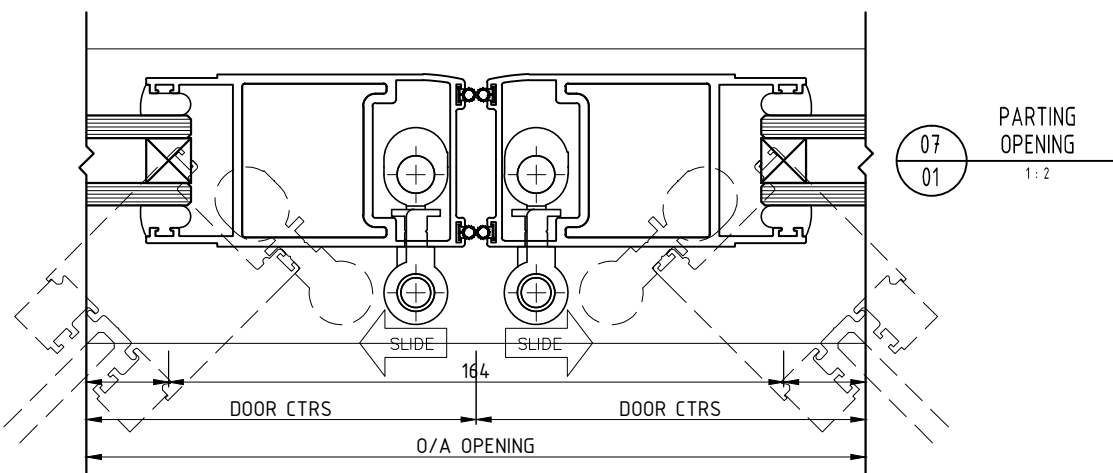


NOTES:
 1) DRAWING TO BE USED IN CONJUNCTION WITH 'MASTERSPEC' (4521)
 2) WINDOW SYSTEMS REQUIRE SPECIFIC DESIGN DEPENDING ON SPANS, WIND-LOADS, CLADDING SPECIFIED, ETC.
 3) INSIDE GLAZE, INTERNAL REINFORCEMENT AND SEISMIC FRAME OPTIONS AVAILABLE

GLAZING: GLASS THICKNESS TO SUIT REQUIREMENTS
 HARDWARE: STANDARD HARDWARE OPTIONS
 FINISHES: POWDER-COAT / ANODISED / PVF²

SUPPORT STRUCTURE AT HEAD TO DEFLECT MAXIMUM 5mm UNDER DEADLOAD OF (HUNG) DOOR SYSTEM



05
01
INWARD HINGE
1:2

04
01
OUTWARD HINGE
1:2

03
01
HINGED JAMB
1:2

SYSTEM: DELTA40 HEAVY DUTY COMMERCIAL	TYPE: BI FOLD DOORS DOUBLE GLAZED	SCALE: 1:2 @ A3	DATE: Dec-12
www.thermosash.co.nz ~AUCKLAND: (09)444-4944 ~WELLINGTON: (04)939-4500 ~CHRISTCHURCH: (03)348-4004		PAGE: BF-02	



P:\CONTRACTS\700-SERIES\7390-MANUAL For Website\Heavy Duty Commercial - Delta 40\DELTA40 - BI FOLD DOORS DOUBLE GLAZED-2.dwg