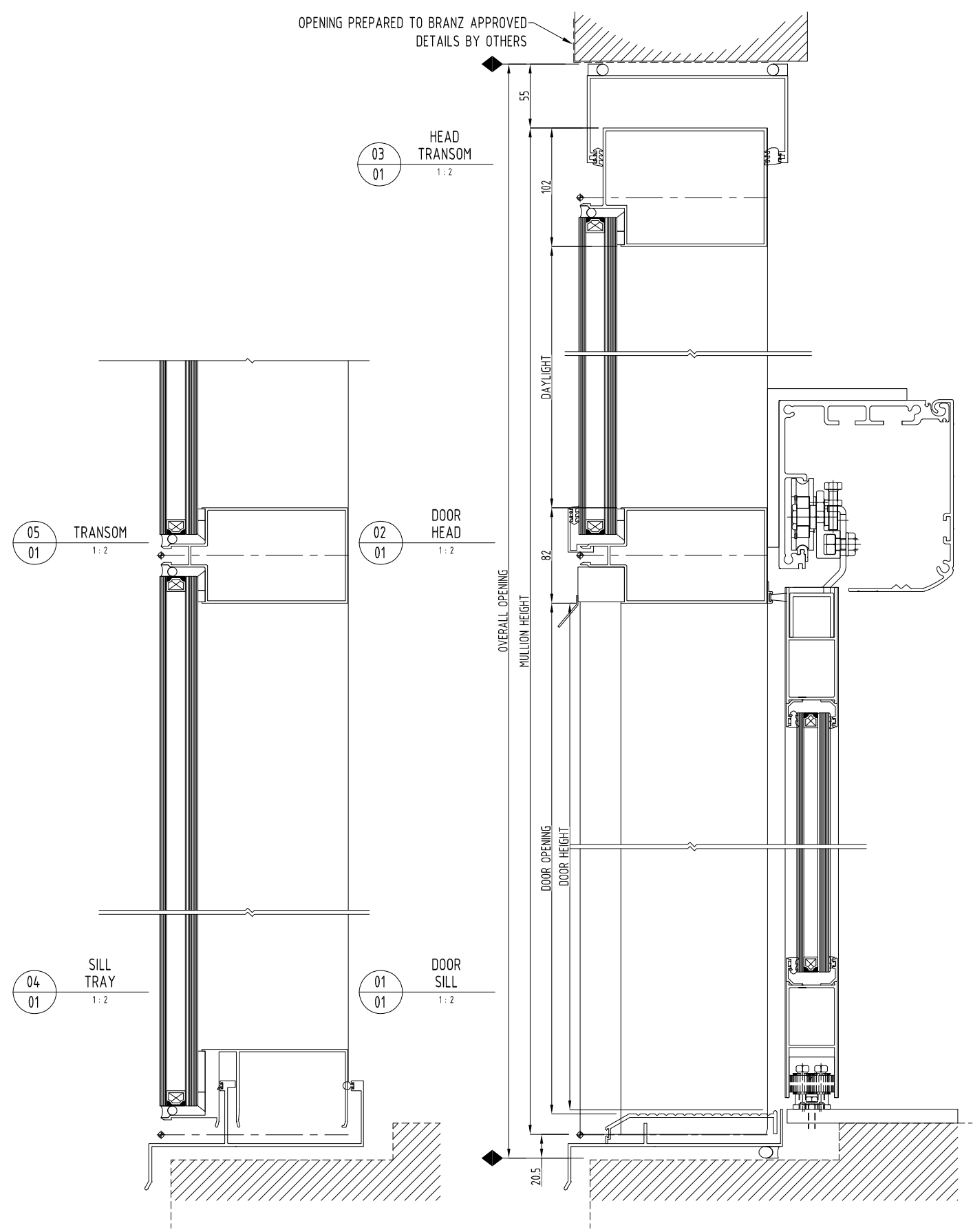
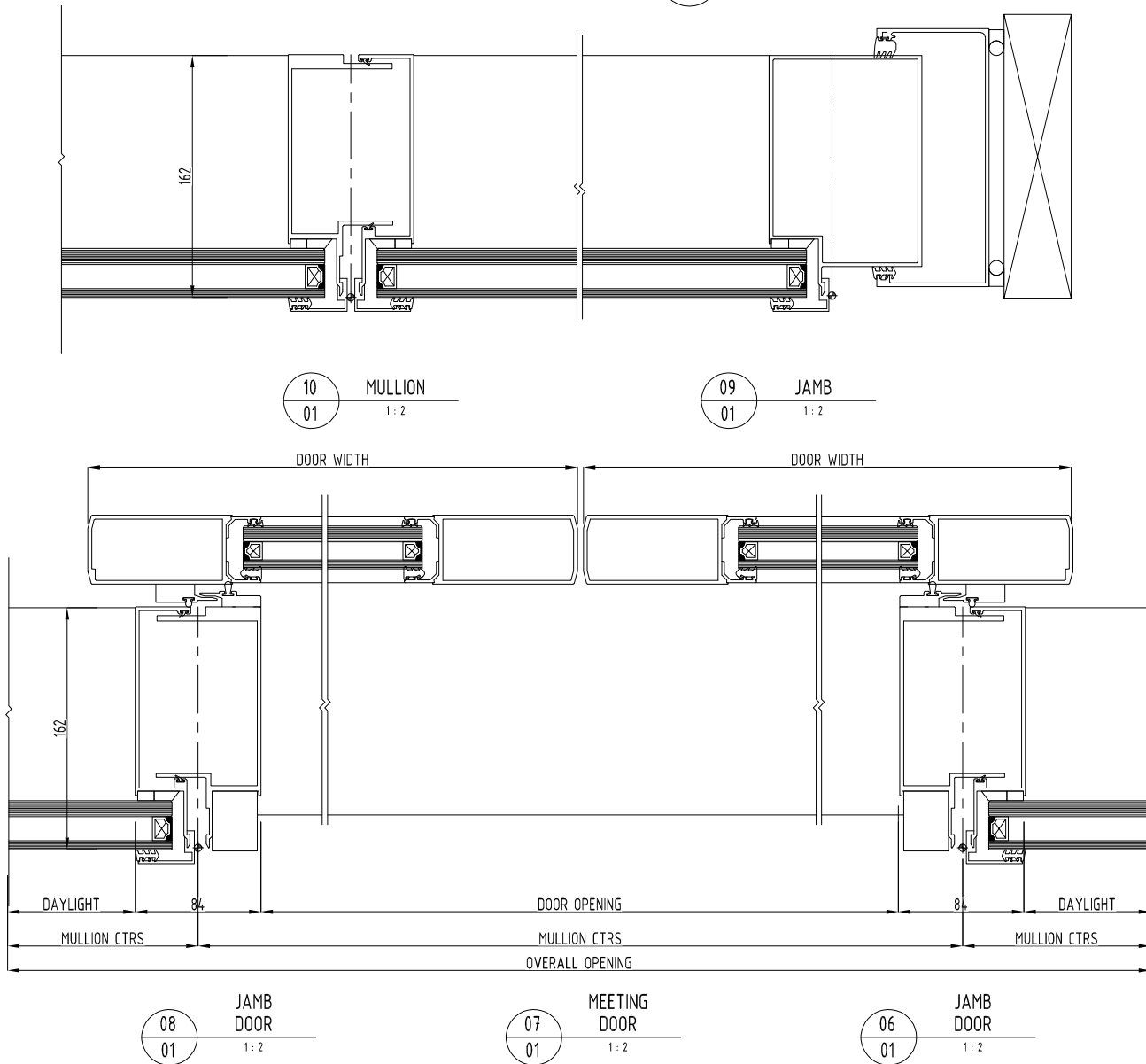
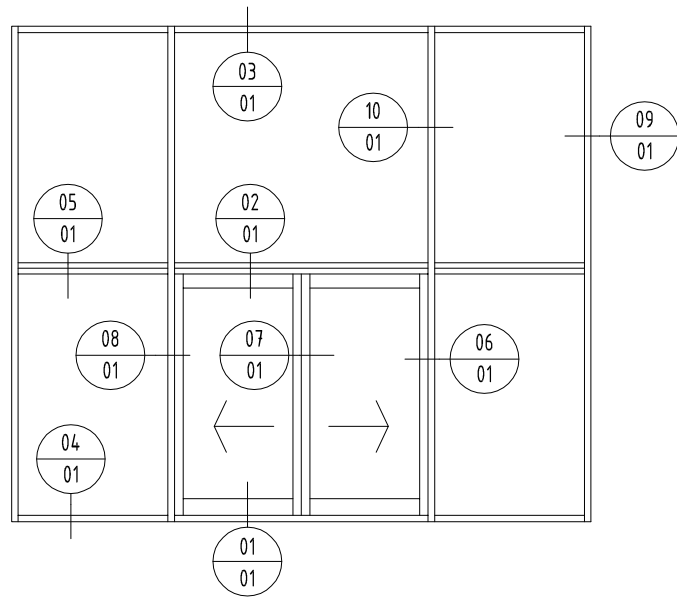


NOTES:
 1) DRAWING TO BE USED IN CONJUNCTION WITH 'MASTERSPEC' (4211)
 2) WINDOW SYSTEMS REQUIRE SPECIFIC DESIGN DEPENDING ON SPANS, WIND-LOADS, BUILDING CONDITIONS, ETC.
 3) INSIDE GLAZE, INTERNAL REINFORCEMENT AND SEISMIC FRAME OPTIONS AVAILABLE

GLAZING: GLASS THICKNESS TO SUIT REQUIREMENTS
 HARDWARE: STANDARD HARDWARE OPTIONS
 FINISHES: POWDER-COAT / ANODISED / PVF²



SYSTEM :
 PW1000
 UNITISED HIGH PERFORMANCE PANEL
 SYSTEM

TYPE :
 160 mm MULLION
 DOUBLE GLAZED WITH AUTO SLIDING DOOR

SCALE: NTS
 DATE: 09/09/20
 PAGE: PW1000-12

www.thermosash.co.nz ~ AUCKLAND: (09)444-4944 ~ WELLINGTON: (04)939-4500 ~ CHRISTCHURCH: (03)348-4004



T:\USERS\alvin\me's stuff\KENT\FINAL TO KENT\Submit4\PW1000-12.dxf