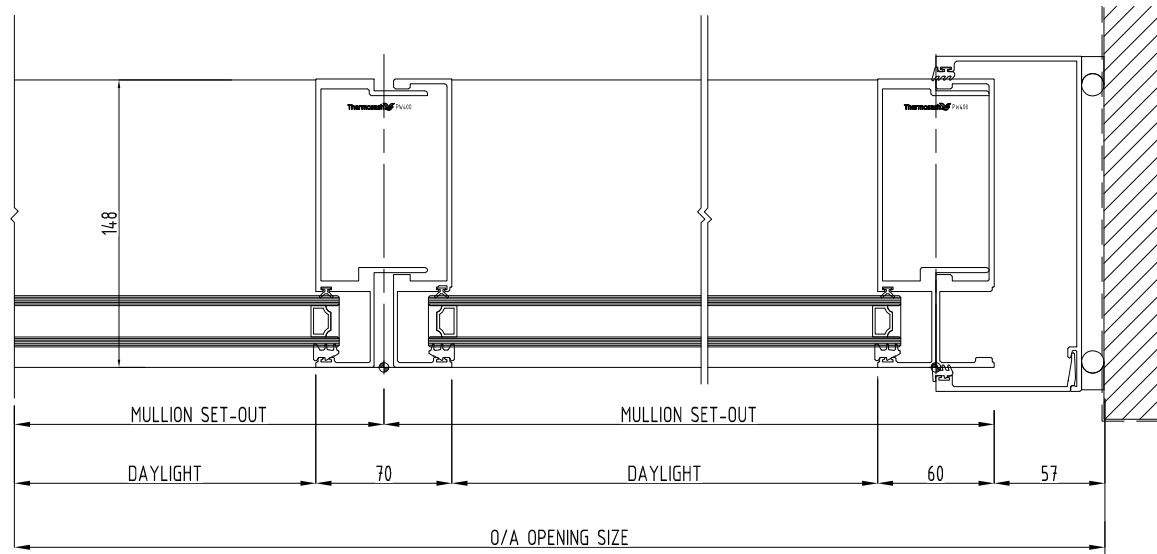
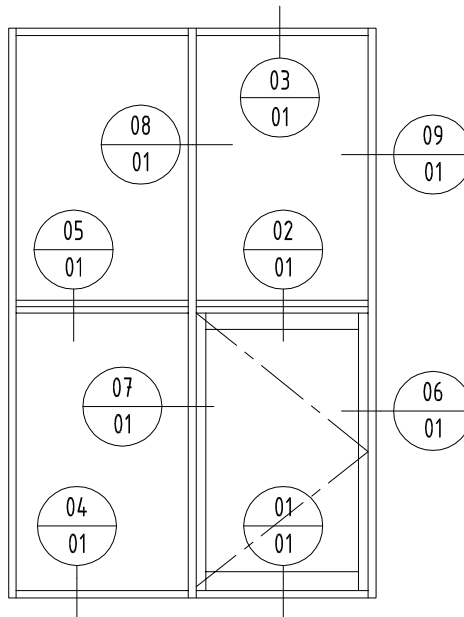


NOTES:

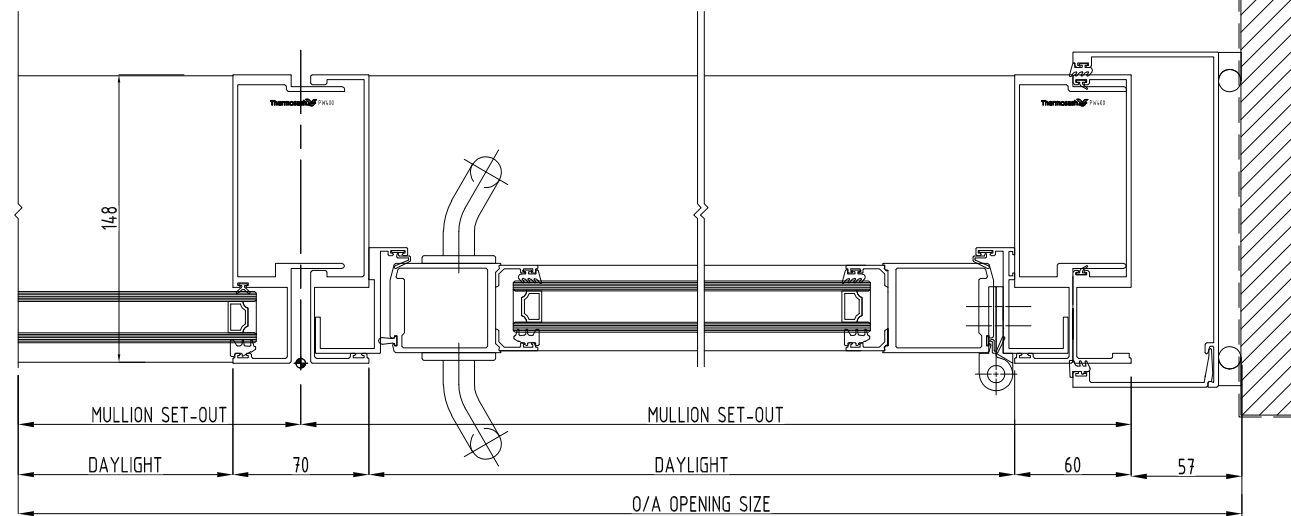
- 1) DRAWING TO BE USED IN CONJUNCTION WITH 'MASTERSPEC' (4211)
- 2) WINDOW SYSTEMS REQUIRE SPECIFIC DESIGN DEPENDING ON SPANS, WIND-LOADS, BUILDING CONDITIONS, ETC.
- 3) INSIDE GLAZE, INTERNAL REINFORCEMENT AND SEISMIC FRAME OPTIONS AVAILABLE

GLAZING: GLASS THICKNESS TO SUIT REQUIREMENTS
 HARDWARE: STANDARD HARDWARE OPTIONS
 FINISHES: POWDER-COAT / ANODISED / PVF²



08 01 MULLION 1:2

09 01 JAMB 1:2



07 01 JAMB DOOR 1:2

06 01 JAMB DOOR 1:2

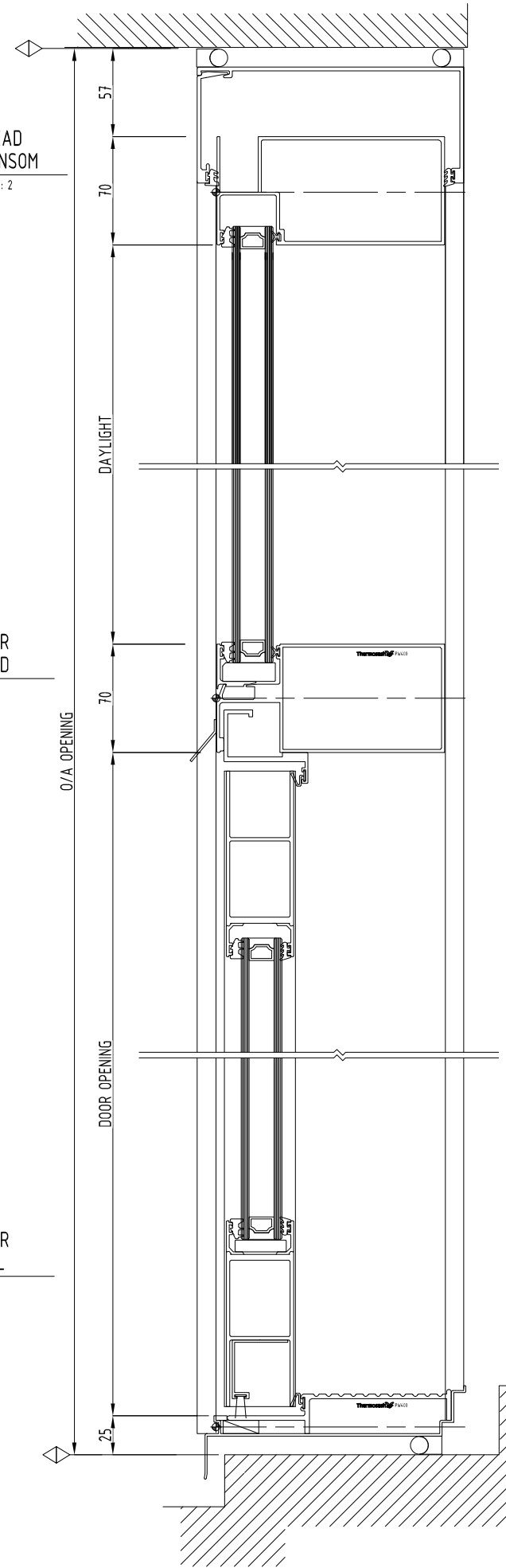
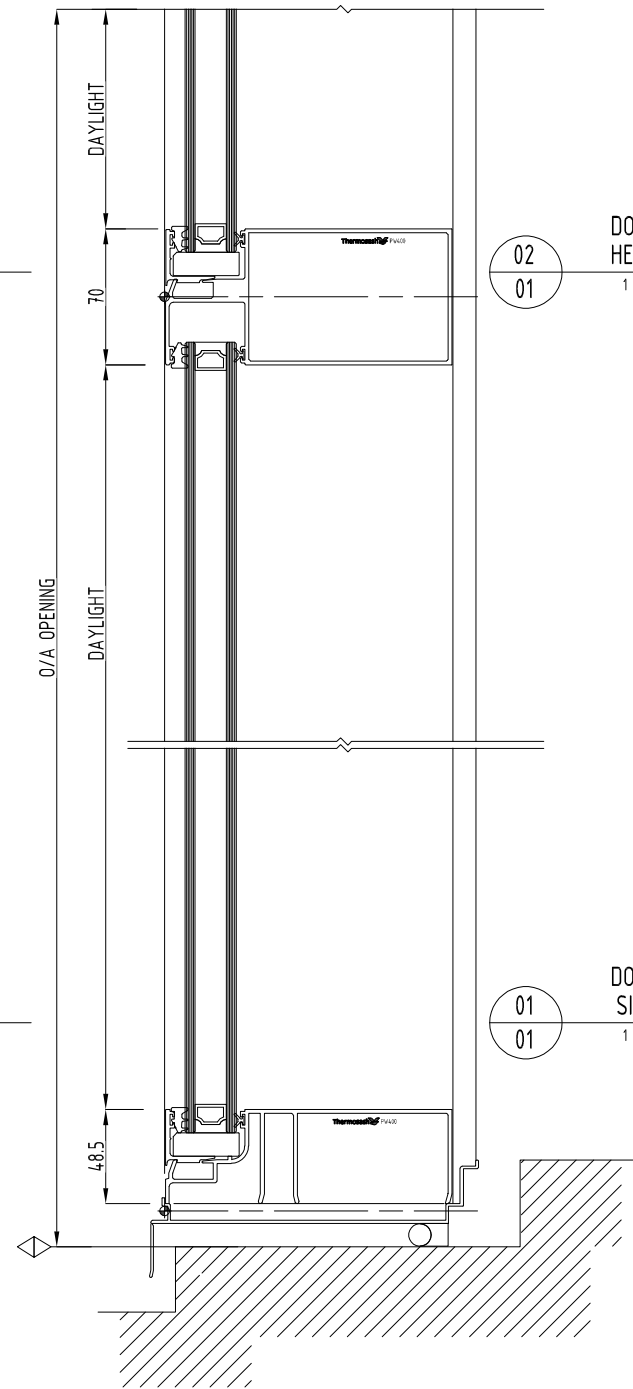
05 01 TRANSOM 1:2

04 01 SILL TRAY 1:2

03 01 HEAD TRANSOM 1:2

02 01 DOOR HEAD 1:2

01 01 DOOR SILL 1:2



SYSTEM : PW400
 UNITISED HIGH PERFORMANCE PANEL SYSTEMS

TYPE : 150 MULLION
 DOUBLE GLAZED
 SEISMIC WITH HINGED DOOR

SCALE: 1:2 @ A3

DATE: 09/09/20

PAGE: PW400-03

www.thermosash.co.nz ~ AUCKLAND: (09)444-4944 ~ WELLINGTON: (04)939-4500 ~ CHRISTCHURCH: (03)348-4004



T:\USERS\AvinE's_stuff\KENT\FINAL TO KENT\Submit2\PW400_03.dwg