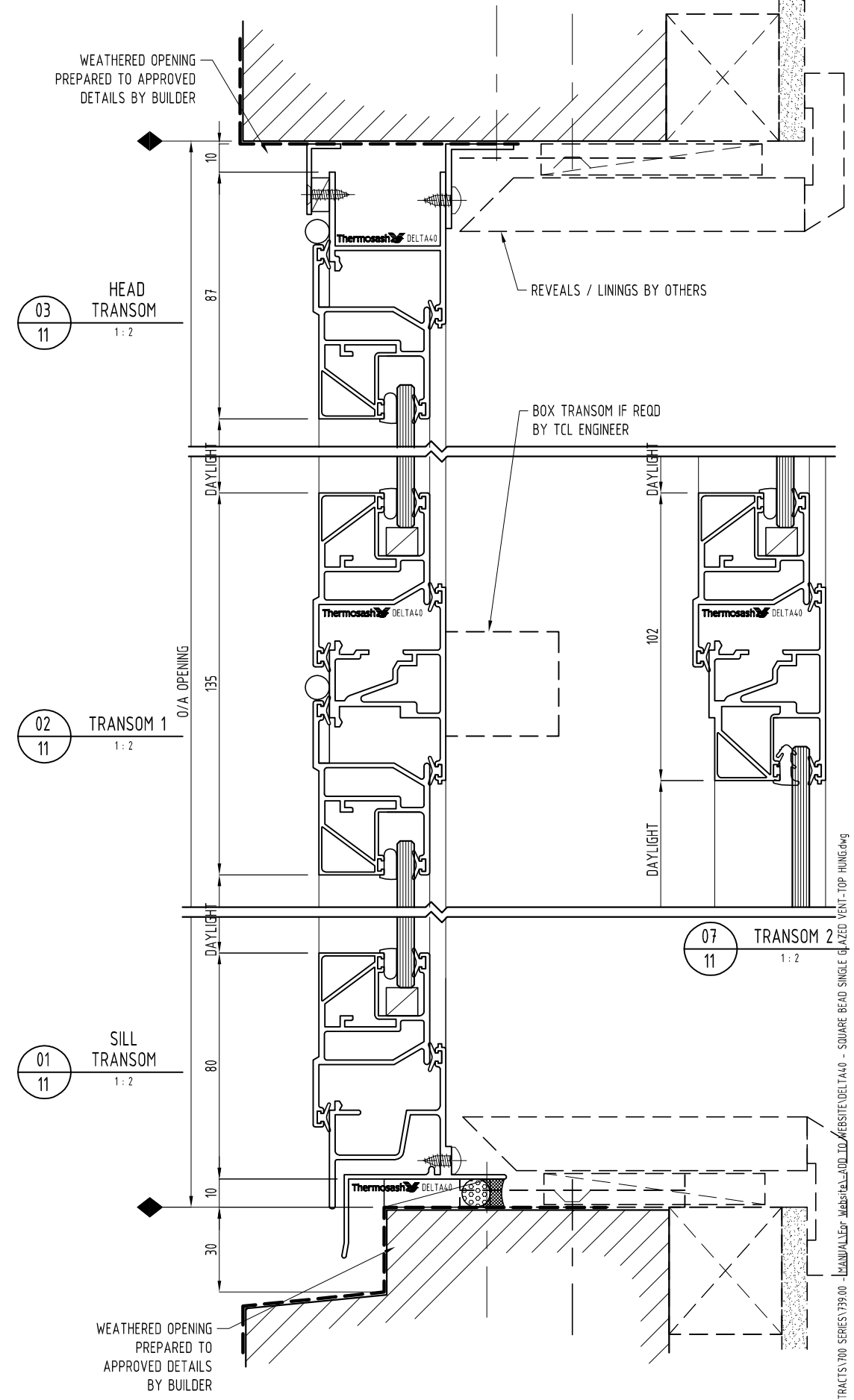
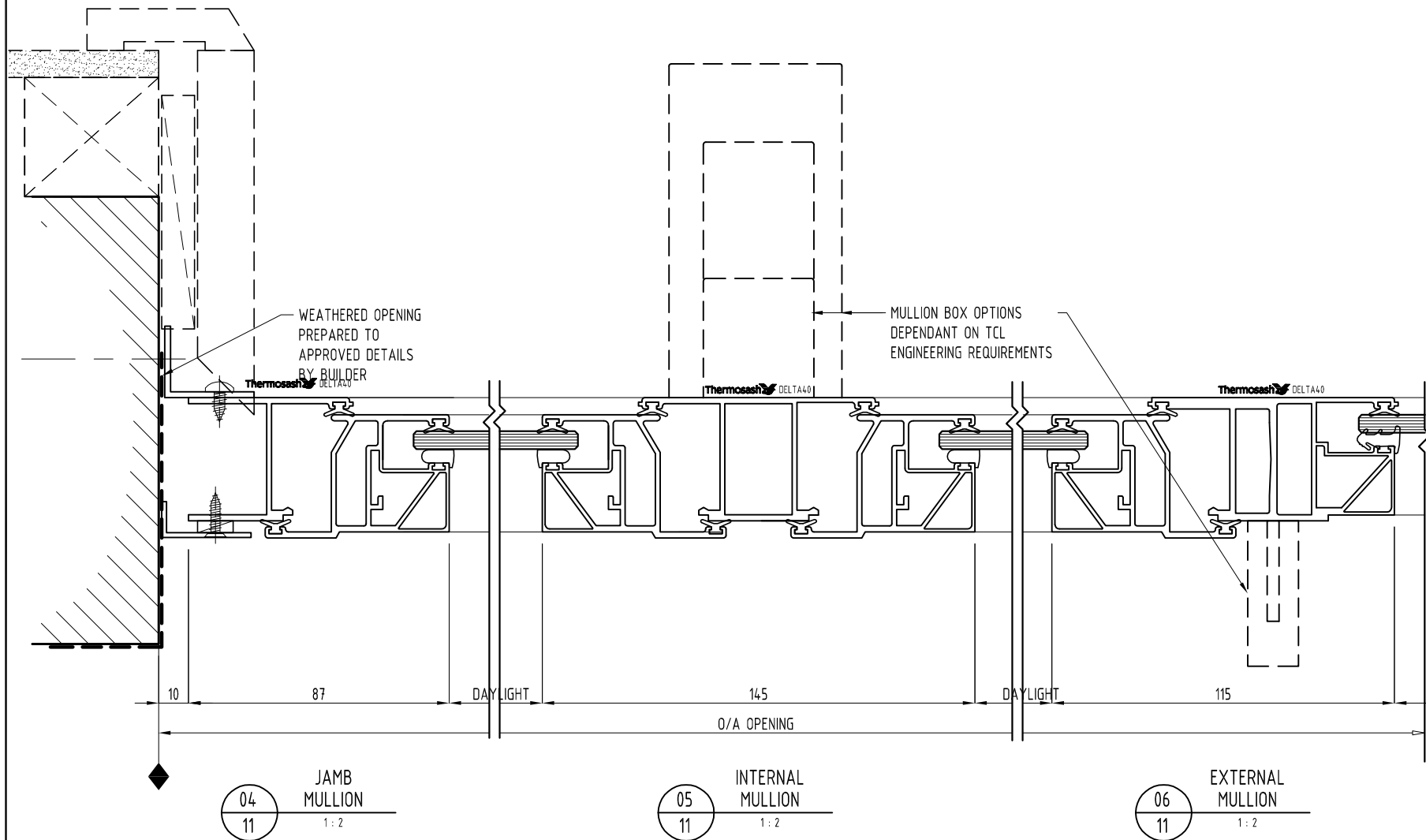


NOTES:  
 1) DRAWING TO BE USED IN CONJUNCTION WITH 'MASTERSPEC' (4521)  
 2) WINDOW SYSTEMS REQUIRE SPECIFIC DESIGN DEPENDING ON SPANS, WIND-LOADS, CLADDING SPECIFIED, ETC.  
 3) INSIDE GLAZE, INTERNAL REINFORCEMENT AND SEISMIC FRAME OPTIONS AVAILABLE

GLAZING: GLASS THICKNESS TO SUIT REQUIREMENTS  
 HARDWARE: STANDARD HARDWARE OPTIONS  
 FINISHES: POWDER-COAT / ANODISED / PVF<sup>2</sup>



SYSTEM : <b>DELTA40</b> HEAVY DUTY COMMERCIAL www.thermosash.co.nz ~AUCKLAND: (09)444-4944 ~WELLINGTON: (04)939-4500 ~CHRISTCHURCH: (03)348-4004	TYPE : HEAVY DUTY COMMERCIAL SQUARE BEAD TOP HUNG VENT SINGLE GLAZED	SCALE: 1:2 @ A3	DATE: May-14	
		PAGE: <b>D-11</b>		

P:\CONTRACTS\700 SERIES\739-00 - MANUAL\400 - MANUAL\400 - WEBSITE\DELTA40 - SQUARE BEAD SINGLE GLAZED VENT-TOP HUNG.dwg