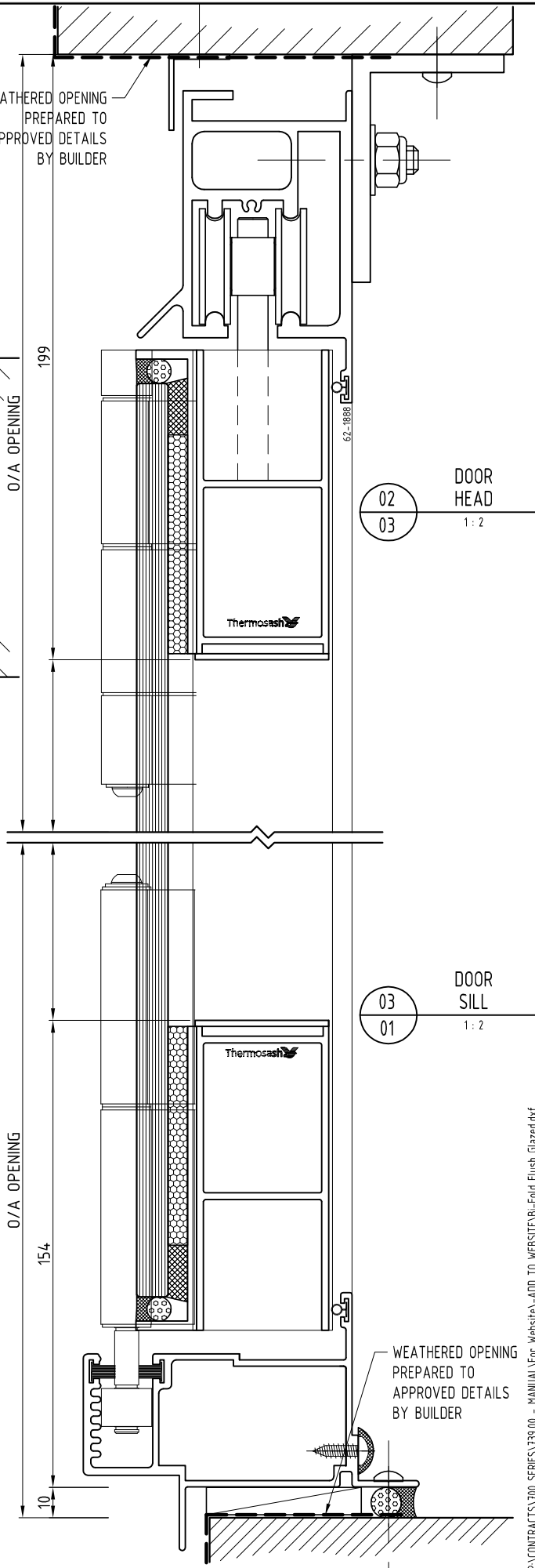
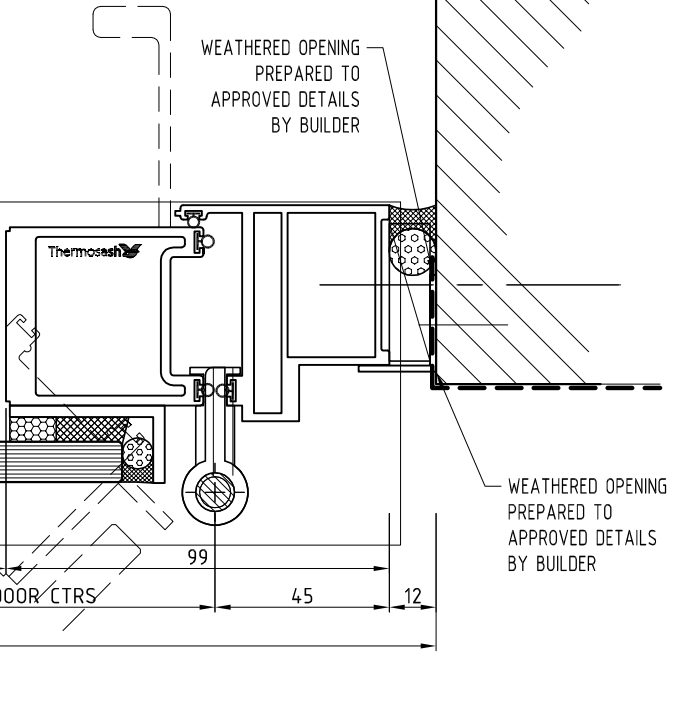
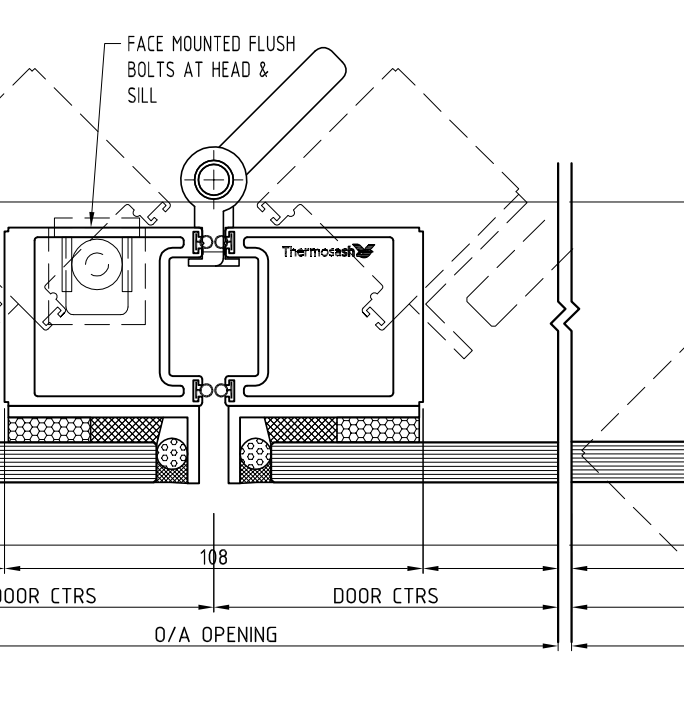
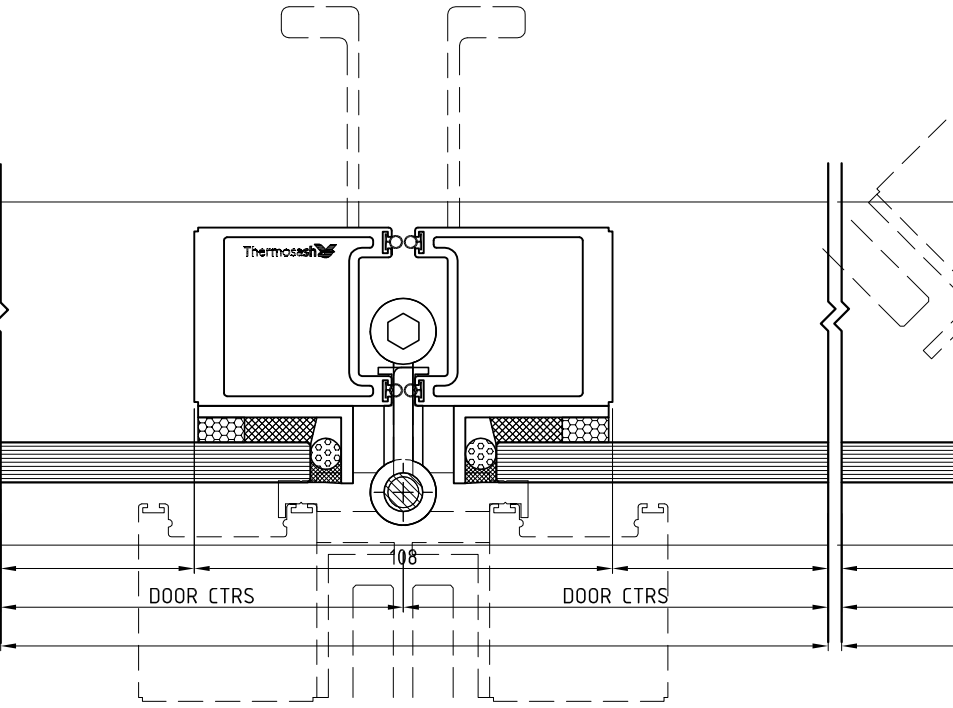
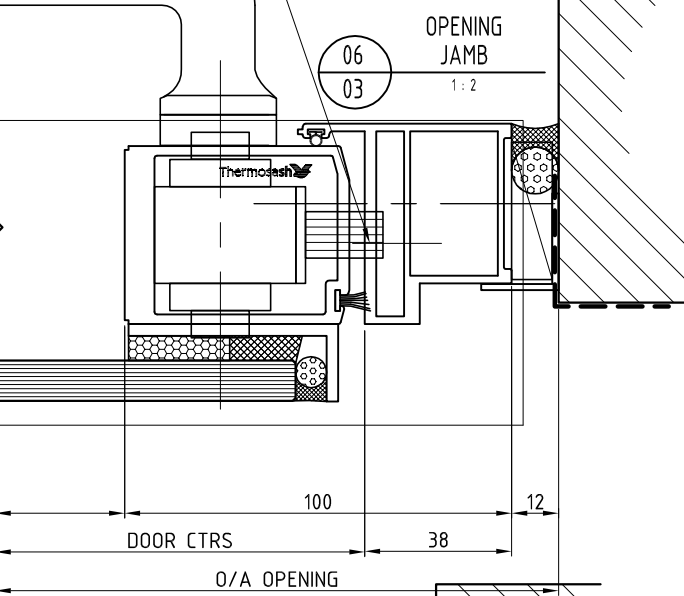
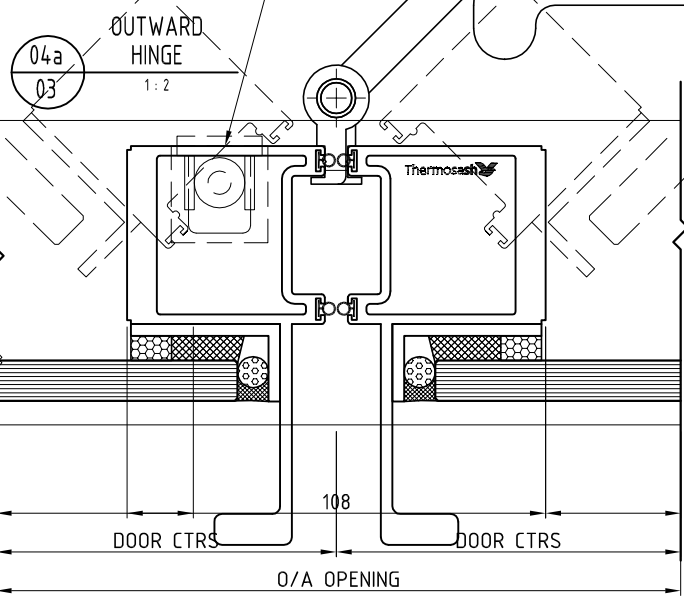
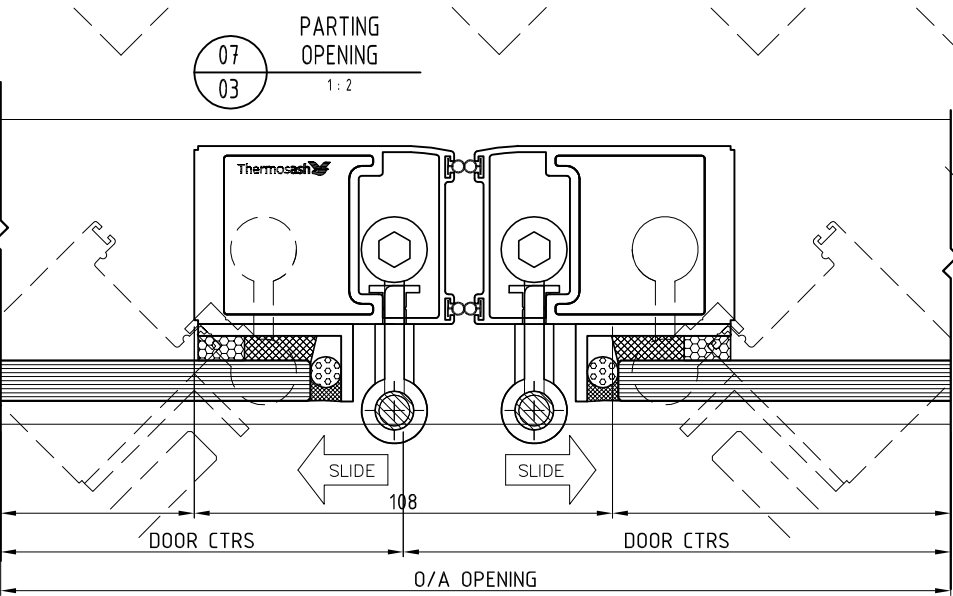


NOTES:
 1) DRAWING TO BE USED IN CONJUNCTION WITH 'MASTERSPEC' (4521)
 2) WINDOW SYSTEMS REQUIRE SPECIFIC DESIGN DEPENDING ON SPANS, WIND-LOADS, CLADDING SPECIFIED, ETC.
 3) INSIDE GLAZE, INTERNAL REINFORCEMENT AND SEISMIC FRAME OPTIONS AVAILABLE

GLAZING: GLASS THICKNESS TO SUIT REQUIREMENTS
 HARDWARE: STANDARD HARDWARE OPTIONS
 FINISHES: POWDER-COAT / ANODISED / PVF²

SUPPORT STRUCTURE AT HEAD TO DEFLECT MAXIMUM 5mm UNDER DEADLOAD OF (HUNG) DOOR SYSTEM



05
03
INWARD HINGE
1:2

04b
03
OUTWARD HINGE
1:2

03
03
HINGED JAMB
1:2

SYSTEM :	DELTA40 HEAVY DUTY COMMERCIAL	TYPE :	BI FOLD DOORS FLUSH GLAZED	SCALE:	1:2 @ A3	DATE:	Jun-13
www.thermosash.co.nz ~AUCKLAND: (09)444-4944 ~WELLINGTON: (04)939-4500 ~CHRISTCHURCH: (03)348-4004				PAGE:	BF-03		



P:\CONTRACTS\700 SERIES\739.00 - MANUAL\For Website\A-ADD TO WEBSITE\B-Fold Flush Glazed.dwg