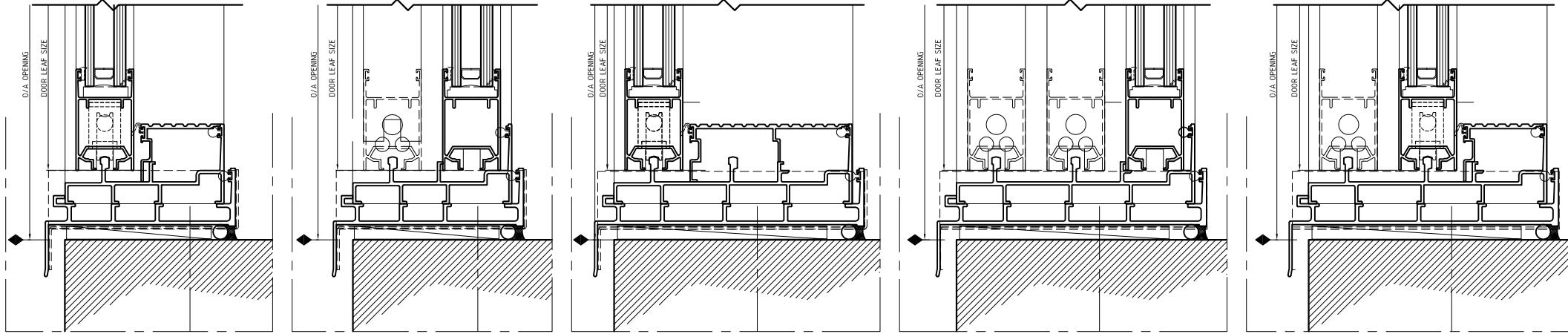


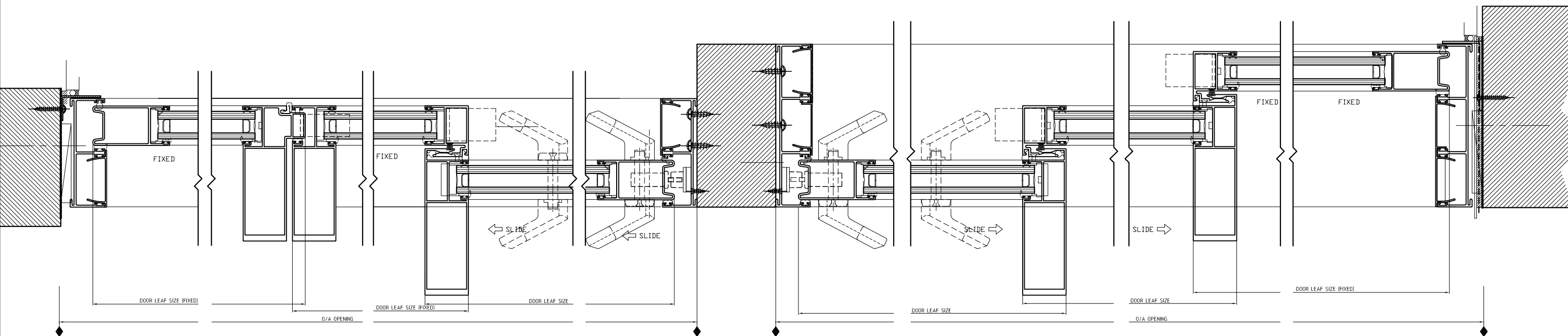
01 DOOR HEAD 1:2
 03 FIXED HEAD 1:2
 05 DOOR HEAD 1:2
 07 DOOR HEAD 1:2
 09 FIXED HEAD 1:2



02 DOOR SILL 1:2
 04 FIXED SILL 1:2
 06 DOOR SILL 1:2
 08 DOOR SILL 1:2
 10 FIXED SILL 1:2

NOTES:
 1) DRAWING TO BE USED IN CONJUNCTION WITH 'MASTERSPEC' (4211)
 2) WINDOW SYSTEMS REQUIRE SPECIFIC DESIGN DEPENDING ON SPANS, WIND-LOADS, BUILDING CONDITIONS, ETC.
 3) INSIDE GLAZE, INTERNAL REINFORCEMENT AND SEISMIC FRAME OPTIONS AVAILABLE

GLAZING: GLASS THICKNESS TO SUIT REQUIREMENTS
 HARDWARE: STANDARD HARDWARE OPTIONS
 FINISHES: POWDER-COAT / ANODISED / PVF²



11 JAMB DETAIL 1:2
 12 MULLION DETAIL 1:2
 13 DOOR DETAIL 1:2
 14 JAMB DETAIL 1:2
 15 DOOR DETAIL 1:2
 16 DOOR DETAIL 1:2
 17 JAMB DETAIL 1:2

SYSTEM :
 SLIDING DOOR SYSTEM

TYPE :
 SINGLE SLIDER WITH 2 FIXED LIGHT

SCALE:
 1:2 @ A3

DATE:
 Jan-18

PAGE:
 102