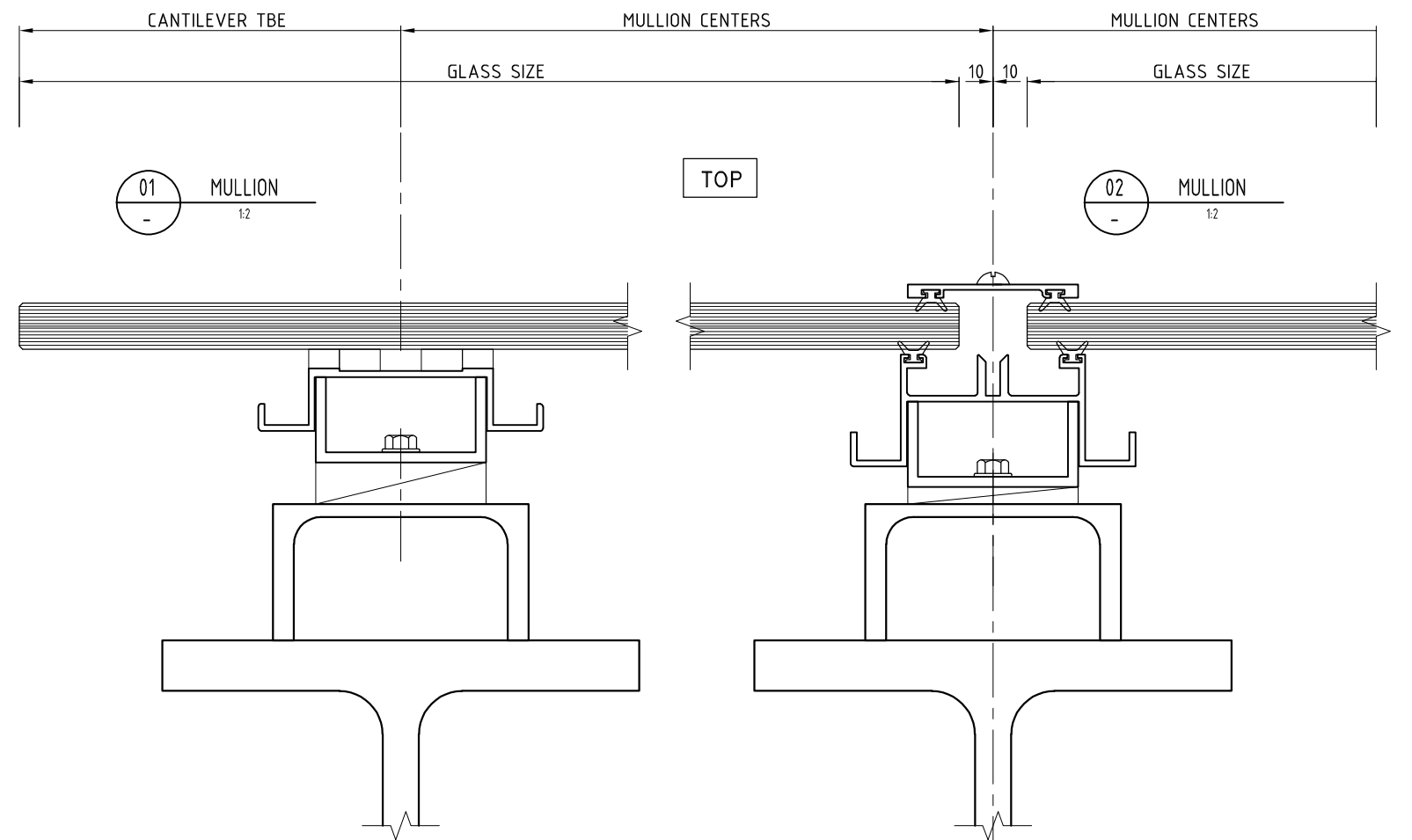
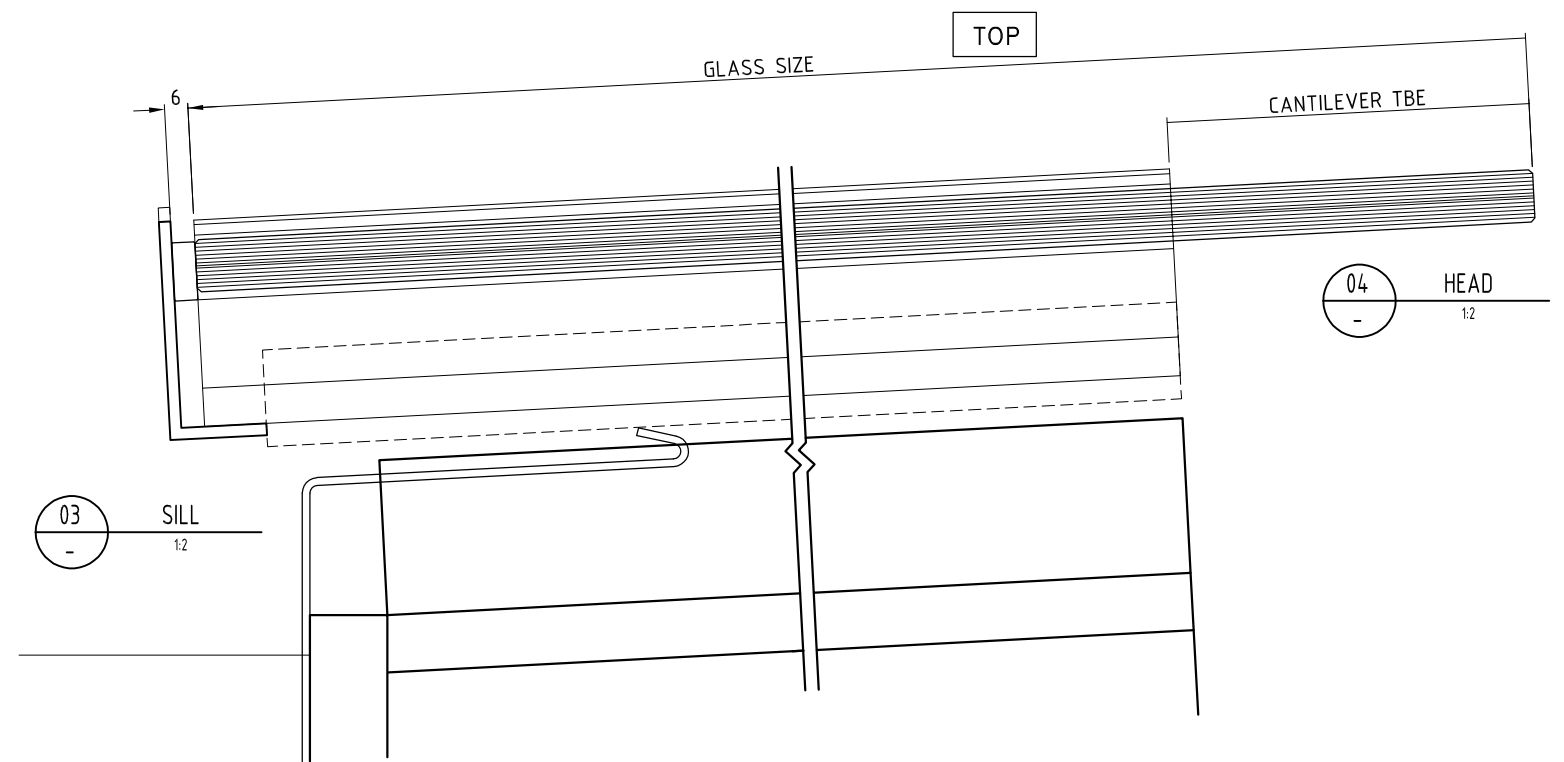
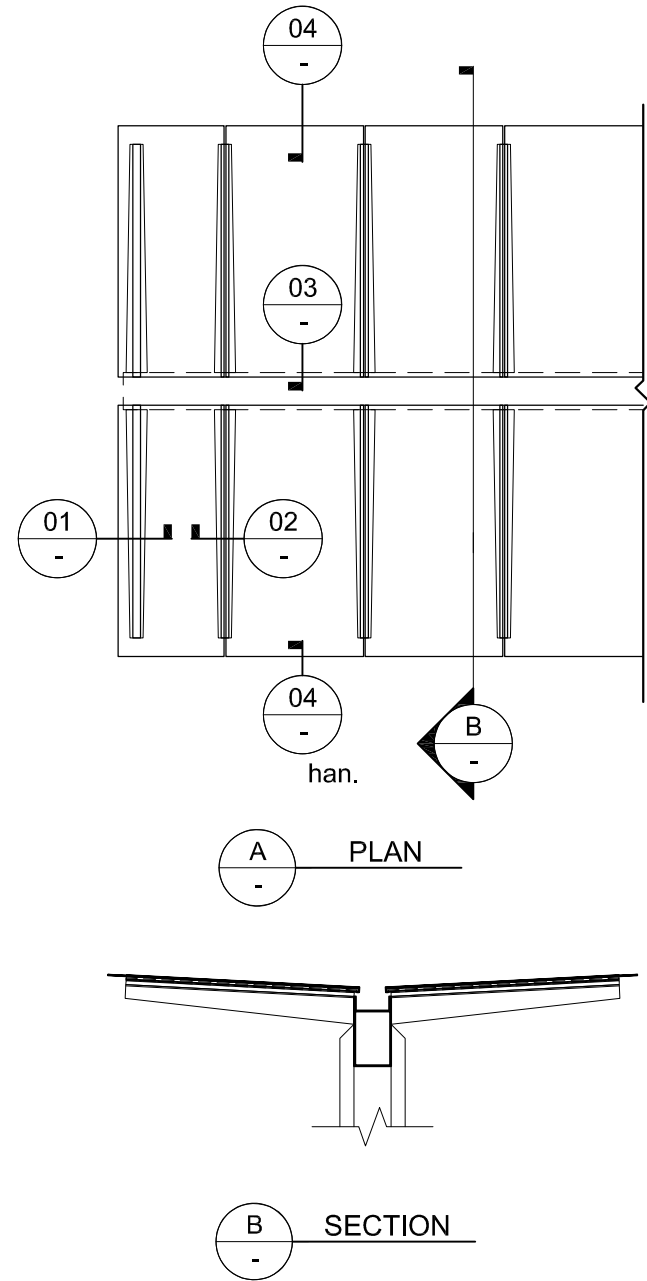


NOTES:

- 1) DRAWING TO BE USED IN CONJUNCTION WITH 'MASTERSPEC' (4211)
- 2) WINDOW SYSTEMS REQUIRE SPECIFIC DESIGN DEPENDING ON SPANS, WIND-LOADS, BUILDING CONDITIONS, ETC.

GLAZING: GLASS THICKNESS TO SUIT REQUIREMENTS
 FINISHES: POWDER-COAT / ANODISED / PVF²



SYSTEM :
CANOPY

TYPE :
TOP MOUNT CANOPY

SCALE:
1:2 @ A3

DATE:
NOV-20

PAGE:
CANOPY-2