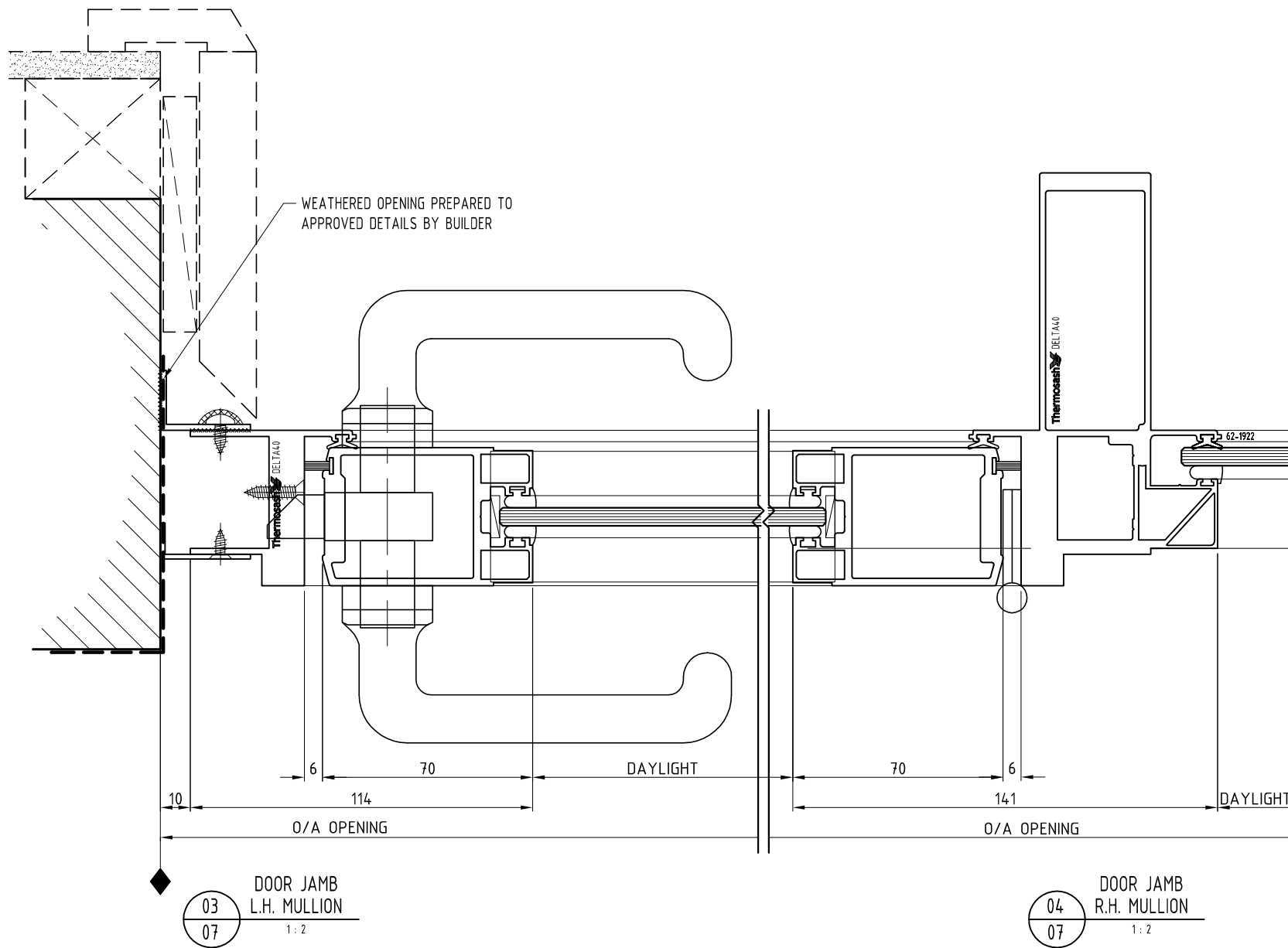
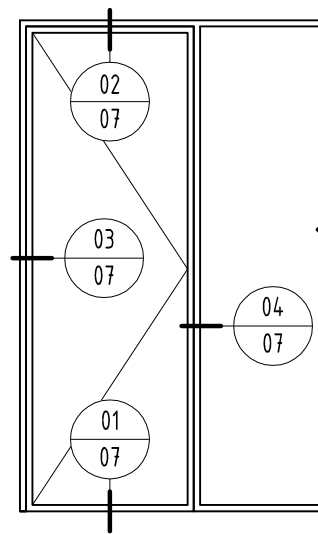


NOTES:

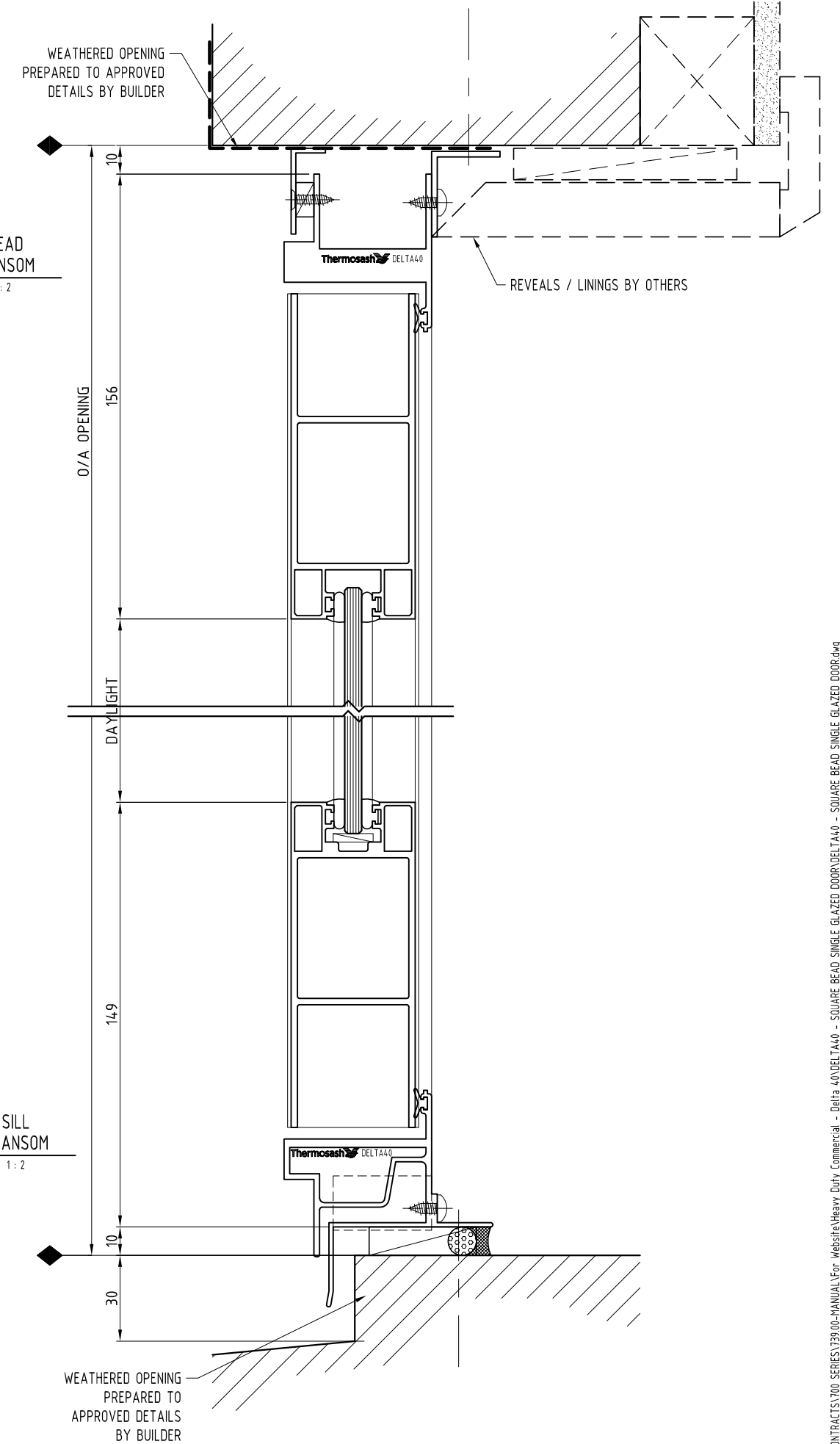
- 1) DRAWING TO BE USED IN CONJUNCTION WITH 'MASTERSPEC' (4521)
- 2) WINDOW SYSTEMS REQUIRE SPECIFIC DESIGN DEPENDING ON SPANS, WIND-LOADS, CLADDING SPECIFIED, ETC.
- 3) INSIDE GLAZE, INTERNAL REINFORCEMENT AND SEISMIC FRAME OPTIONS AVAILABLE

GLAZING: GLASS THICKNESS TO SUIT REQUIREMENTS
 HARDWARE: STANDARD HARDWARE OPTIONS
 FINISHES: POWDER-COAT / ANODISED / PVF²



02
07
HEAD TRANSOM
1:2

01
07
SILL TRANSOM
1:2



SYSTEM :
 DELTA40
 HEAVY DUTY COMMERCIAL
 www.thermosash.co.nz ~AUCKLAND: (09)444-4944 ~WELLINGTON: (04)939-4500 ~CHRISTCHURCH: (03)348-4004

TYPE :
 DOOR
 SINGLE GLAZED

SCALE:
 1:2 @ A3
 DATE:
 Feb-13
 PAGE:
 D-07



P:\CONTRACTS\700 SERIES\7390-00-MANUAL For Website\Heavy Duty Commercial - Delta 40\DELTA40 - SQUARE BEAD SINGLE GLAZED DOOR\DELTA40 - SQUARE BEAD SINGLE GLAZED DOOR.dwg