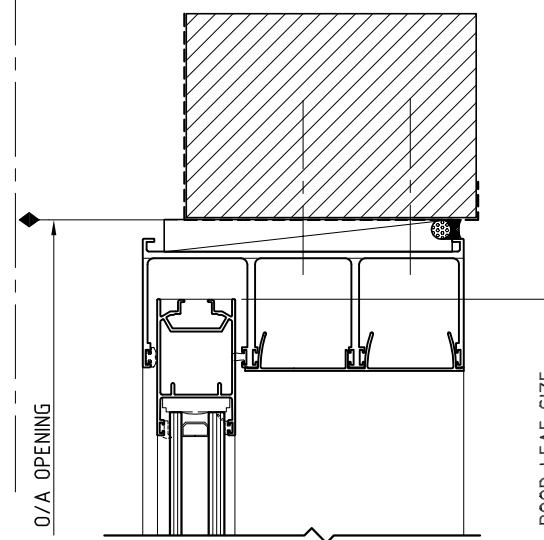
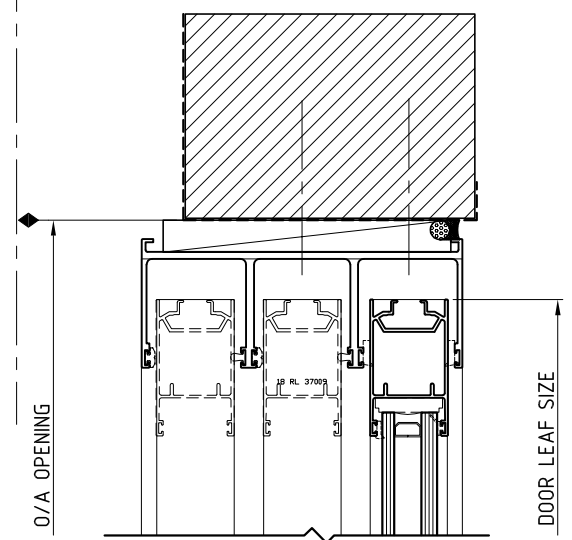


NOTES:
 1) DRAWING TO BE USED IN CONJUNCTION WITH 'MASTERSPEC' (4211)
 2) WINDOW SYSTEMS REQUIRE SPECIFIC DESIGN DEPENDING ON SPANS, WIND-LOADS, BUILDING CONDITIONS, ETC.
 3) INSIDE GLAZE, INTERNAL REINFORCEMENT AND SEISMIC FRAME OPTIONS AVAILABLE

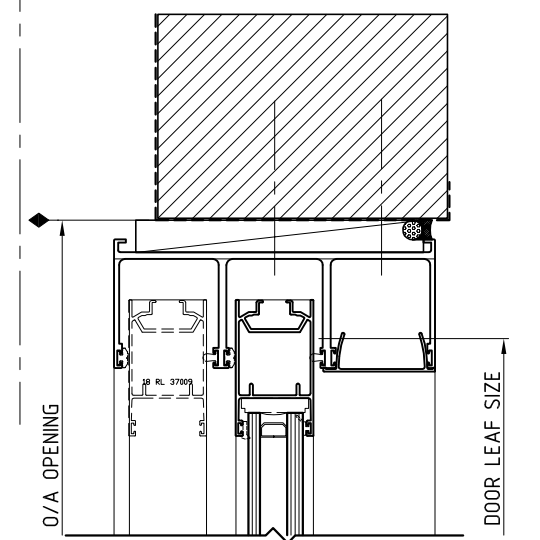
GLAZING: GLASS THICKNESS TO SUIT REQUIREMENTS
 HARDWARE: STANDARD HARDWARE OPTIONS
 FINISHES: POWDER-COAT / ANODISED / PVF²



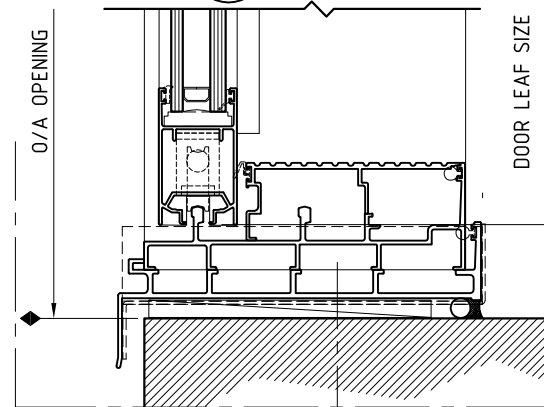
01 FIXED HEAD
103 1:2



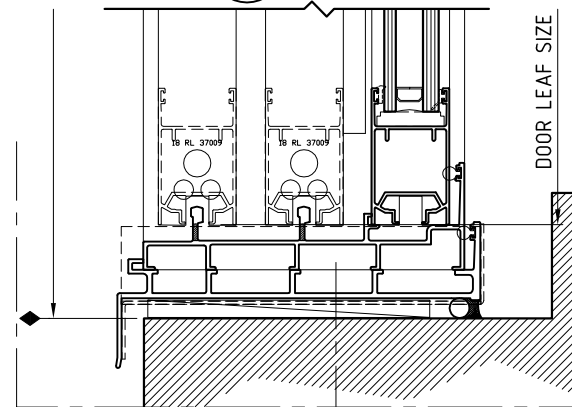
03 DOOR HEAD
103 1:2



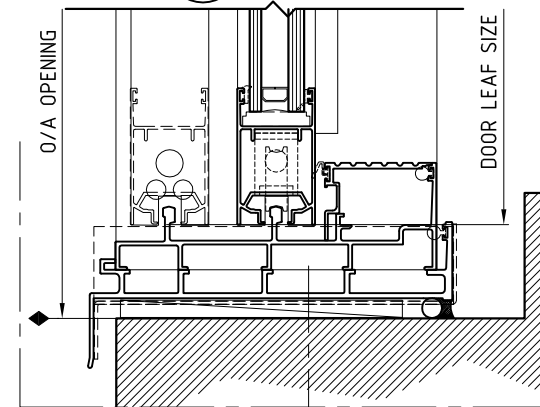
05 DOOR HEAD
103 1:2



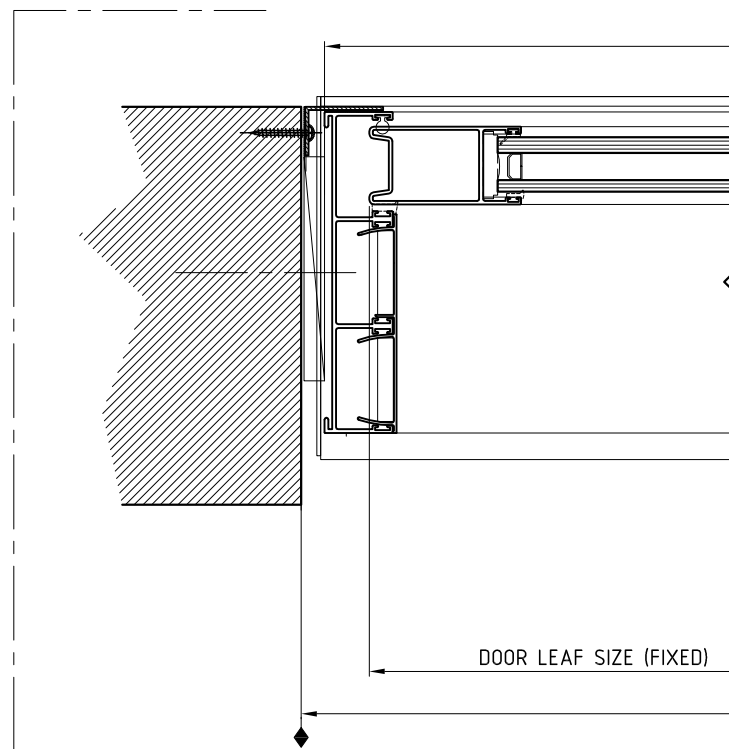
02 FIXED SILL
103 1:2



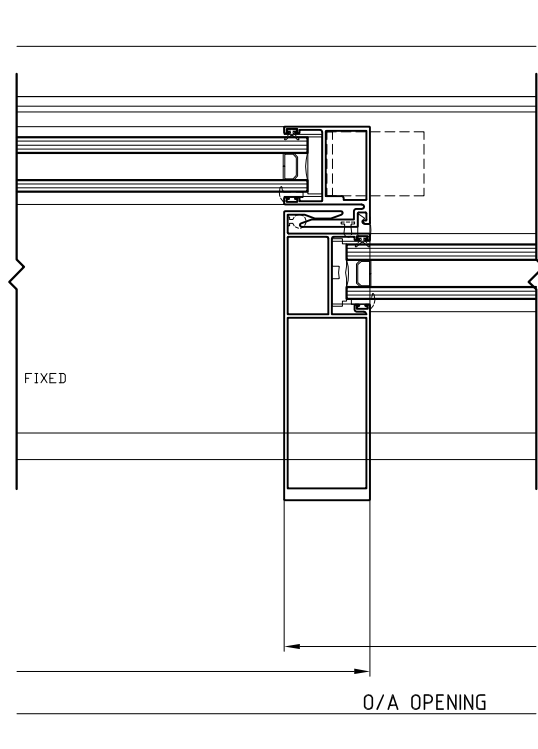
04 DOOR SILL
103 1:2



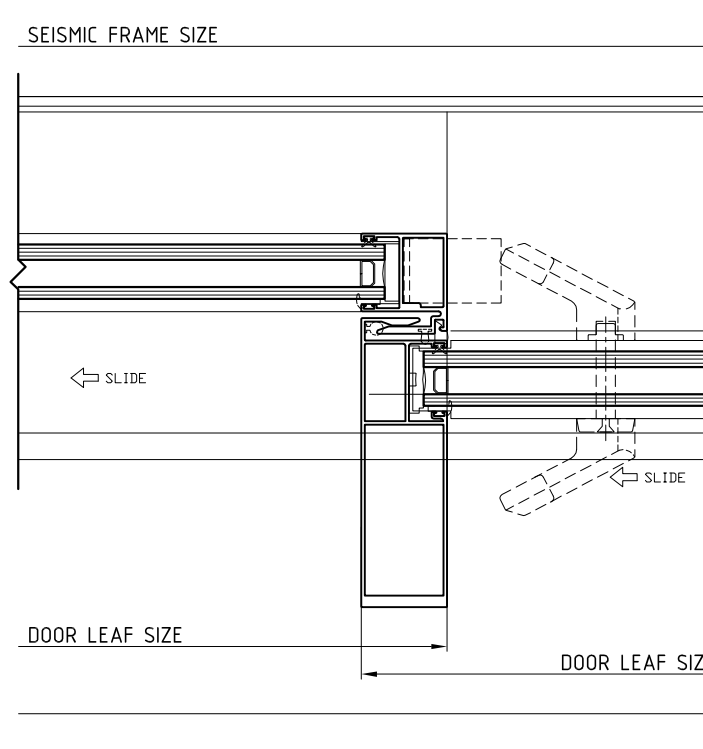
06 DOOR SILL
103 1:2



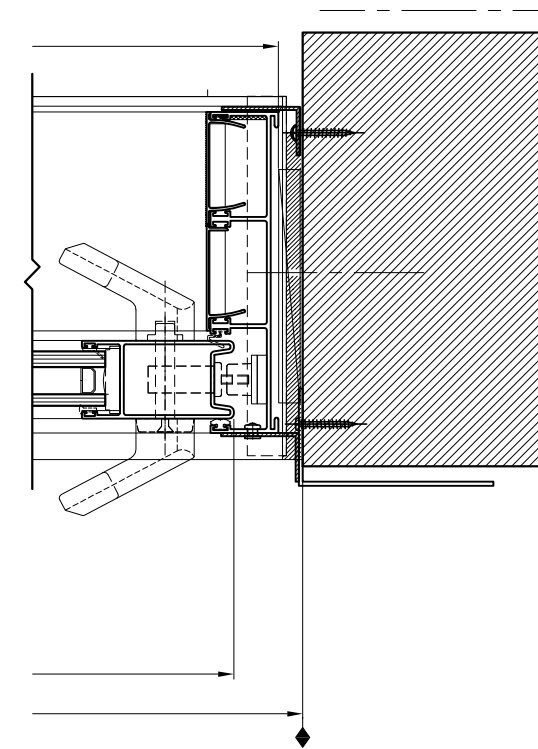
07 JAMB DETAIL
103 1:2



08 DOOR DETAIL
103 1:2



09 DOOR DETAIL
103 1:2



10 JAMB DETAIL
103 1:2

SYSTEM :
SLIDING DOOR SYSTEM

TYPE :
DOUBLE SLIDER
(STACKER SLIDER)

SCALE:
1:2 @ A3

DATE:
Jan-18

PAGE:
103