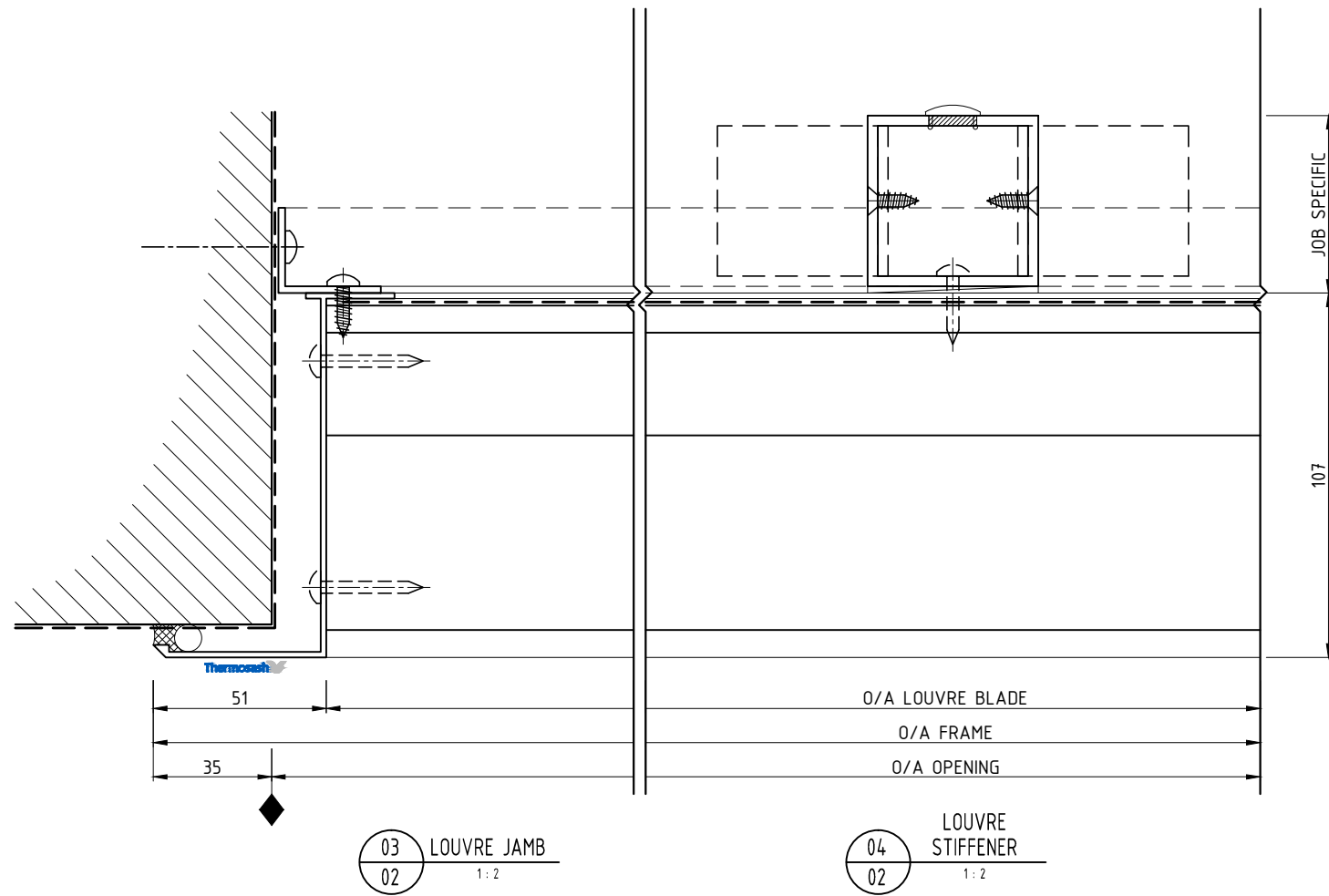


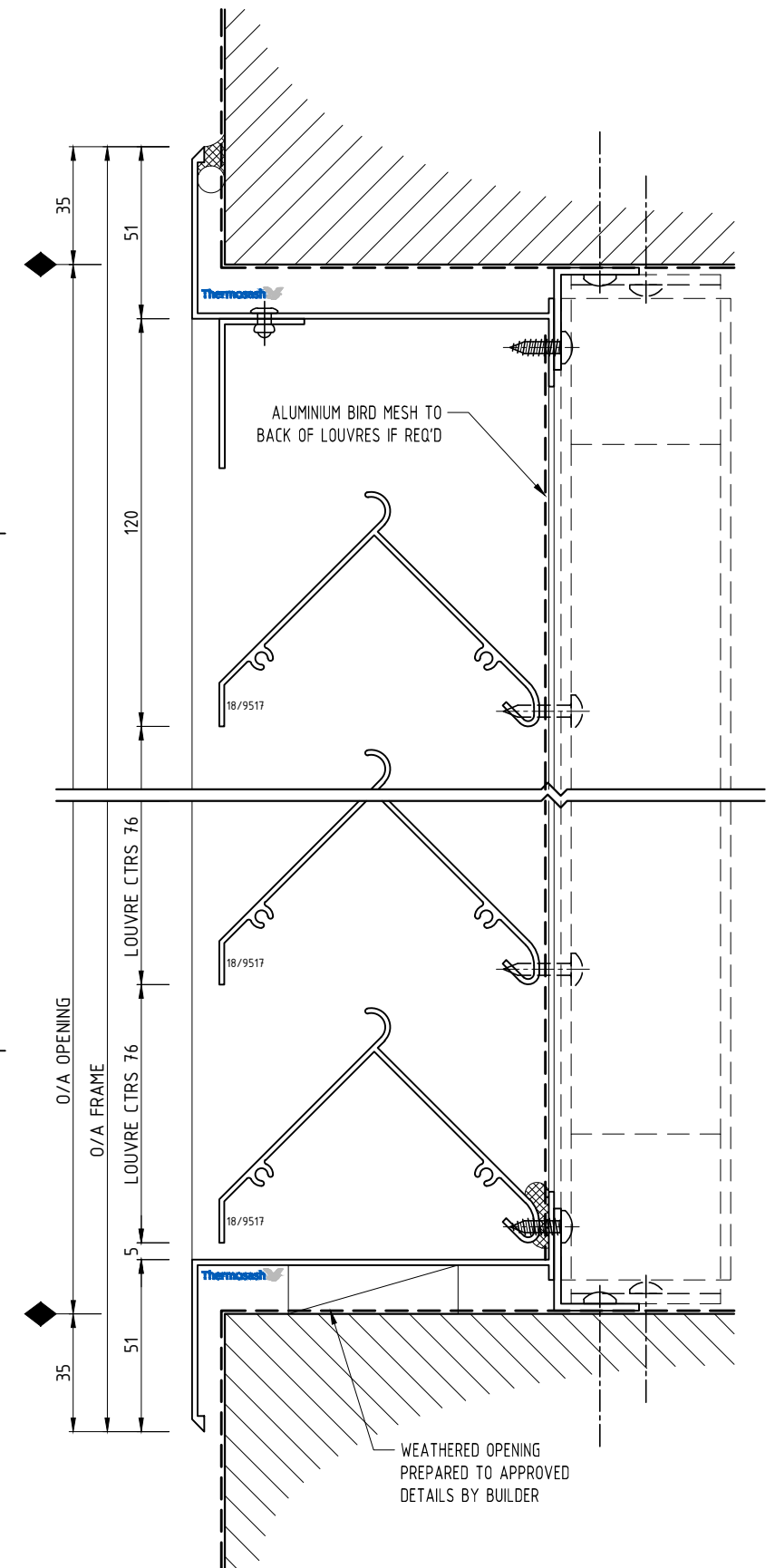
NOTES:
 1) DRAWING TO BE USED IN CONJUNCTION WITH 'MASTERSPEC' (4521)
 2) WINDOW SYSTEMS REQUIRE SPECIFIC DESIGN DEPENDING ON SPANS, WIND-LOADS, CLADDING SPECIFIED, ETC.
 3) INTERNAL REINFORCEMENT OPTIONS AVAILABLE

GLAZING: GLASS THICKNESS TO SUIT REQUIREMENTS
 HARDWARE: VARIOUS STANDARD HARDWARE OPTIONS AVAILABLE (OR CALL TO DISCUSS SPECIFIC COMPONENTS)
 FINISHES: POWDER-COAT / ANODISED / PVF²



02 LOUVRE HEAD
1:2

01 LOUVRE SILL
02 1:2



SYSTEM :
100mm DOUBLE BANK LOUVRE

TYPE :

SCALE:
1:2 @ A3

DATE:
Jan-13

PAGE:
L-02

www.thermosash.co.nz ~AUCKLAND: (09)444-4944 ~WELLINGTON: (04)939-4500 ~CHRISTCHURCH: (03)348-4004

