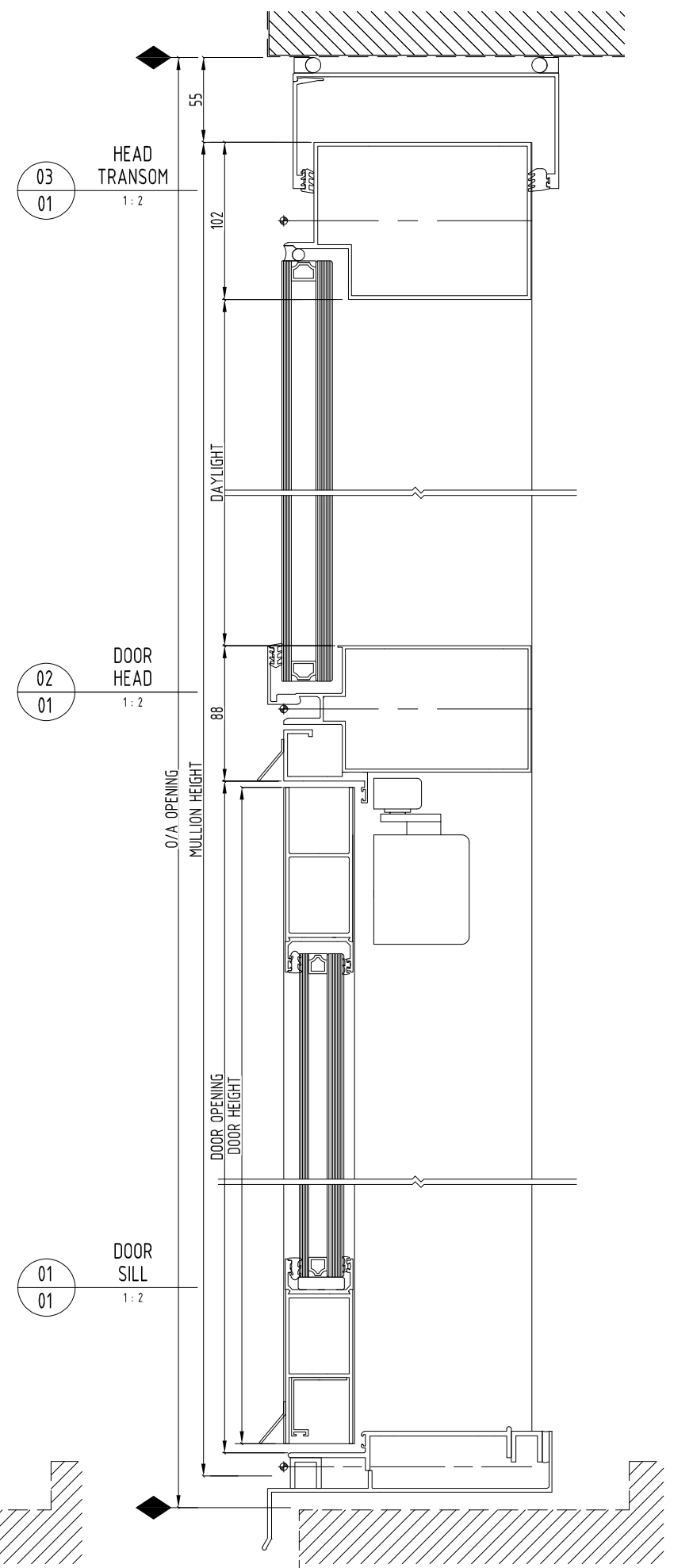
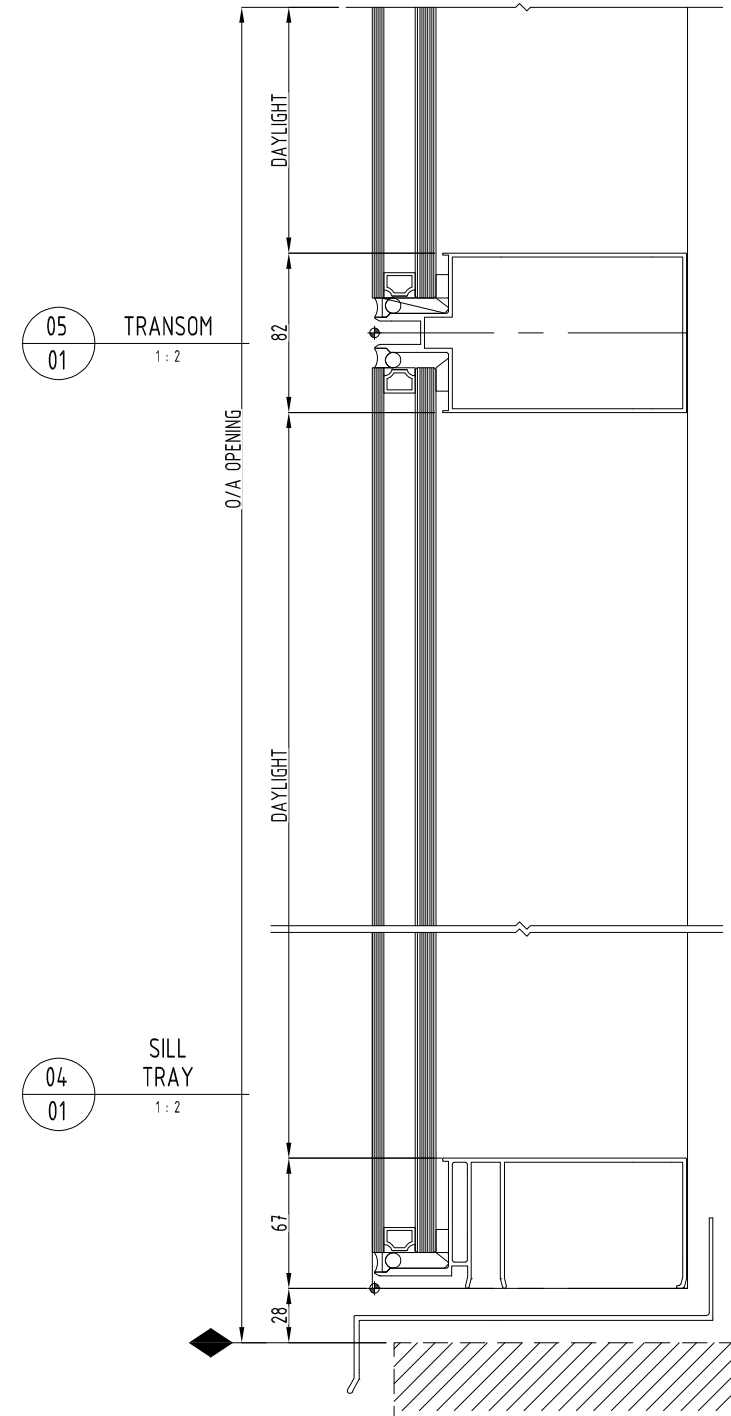
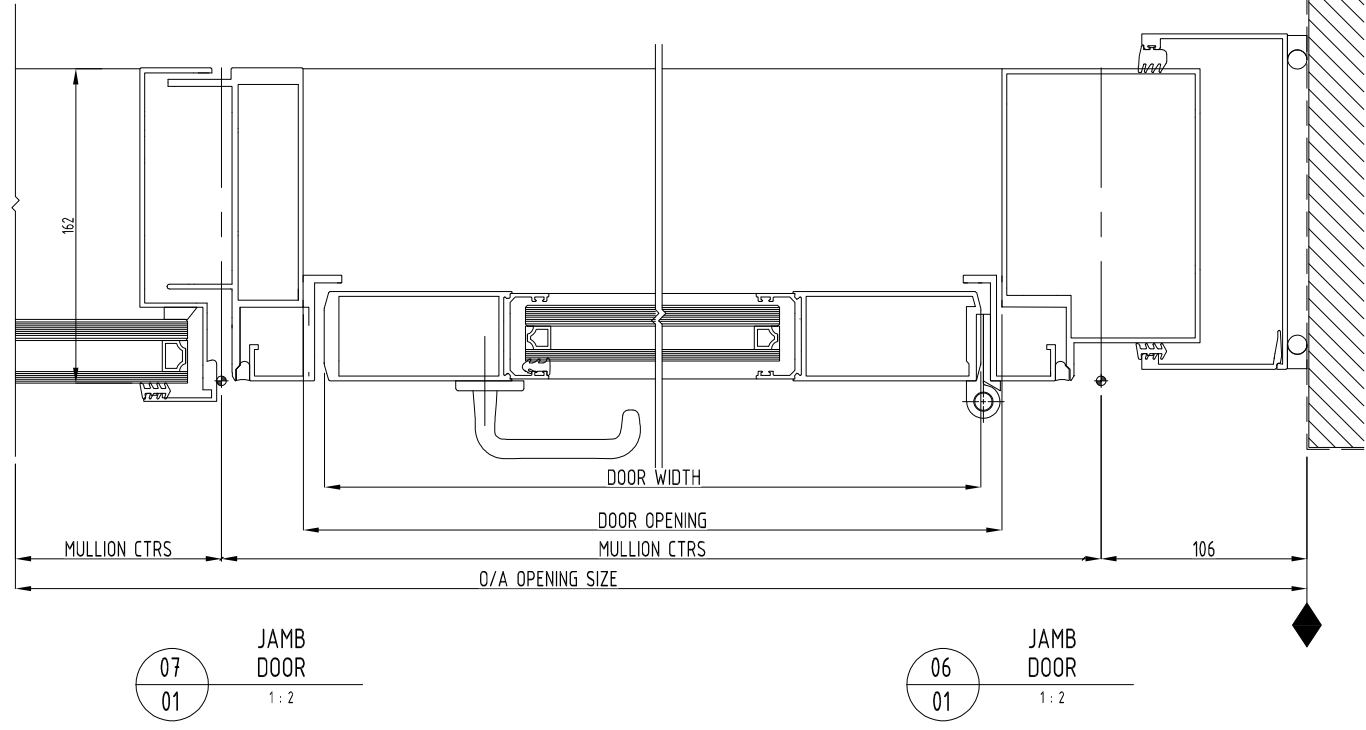
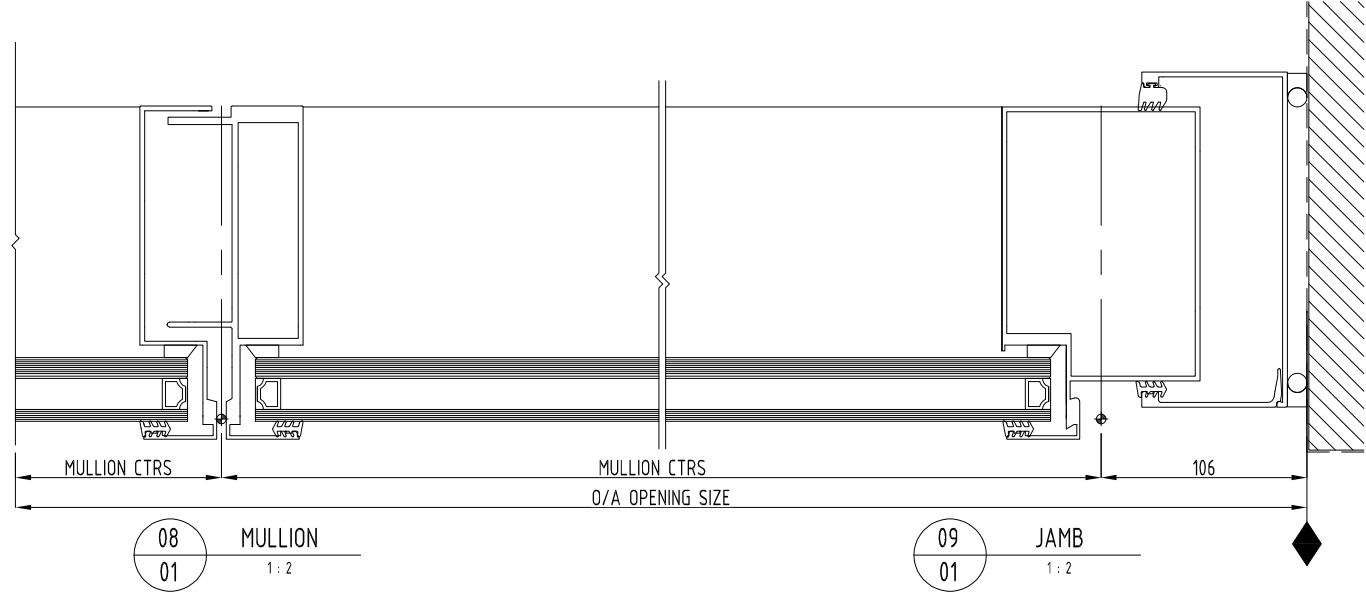
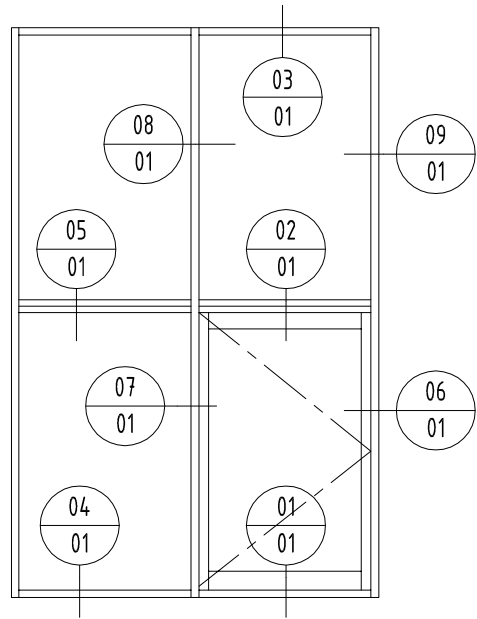


NOTES:
 1) DRAWING TO BE USED IN CONJUNCTION WITH 'MASTERSPEC' (4211)
 2) WINDOW SYSTEMS REQUIRE SPECIFIC DESIGN DEPENDING ON SPANS, WIND-LOADS, BUILDING CONDITIONS, ETC.
 3) INSIDE GLAZE, INTERNAL REINFORCEMENT AND SEISMIC FRAME OPTIONS AVAILABLE

GLAZING: GLASS THICKNESS TO SUIT REQUIREMENTS
 HARDWARE: STANDARD HARDWARE OPTIONS
 FINISHES: POWDER-COAT / ANODISED / PVF²



SYSTEM : PW1000 UNITISED HIGH PERFORMANCE PANEL SYSTEM www.thermosash.co.nz ~ AUCKLAND: (09)444-4944 ~ WELLINGTON: (04)939-4500 ~ CHRISTCHURCH: (03)348-4004	TYPE : 160 mm MULLION DOUBLE GLAZED WITH HINGED DOOR	SCALE: 1:2 on A3	DATE: 09/09/20	 Thermosash BUILDING ENVELOPE SOLUTIONS™
		PAGE: PW1000-13		

T:\USERS\alvine\stuf\KENT\FINAL TO KENT\Submit\3\PW1000-13.dxf