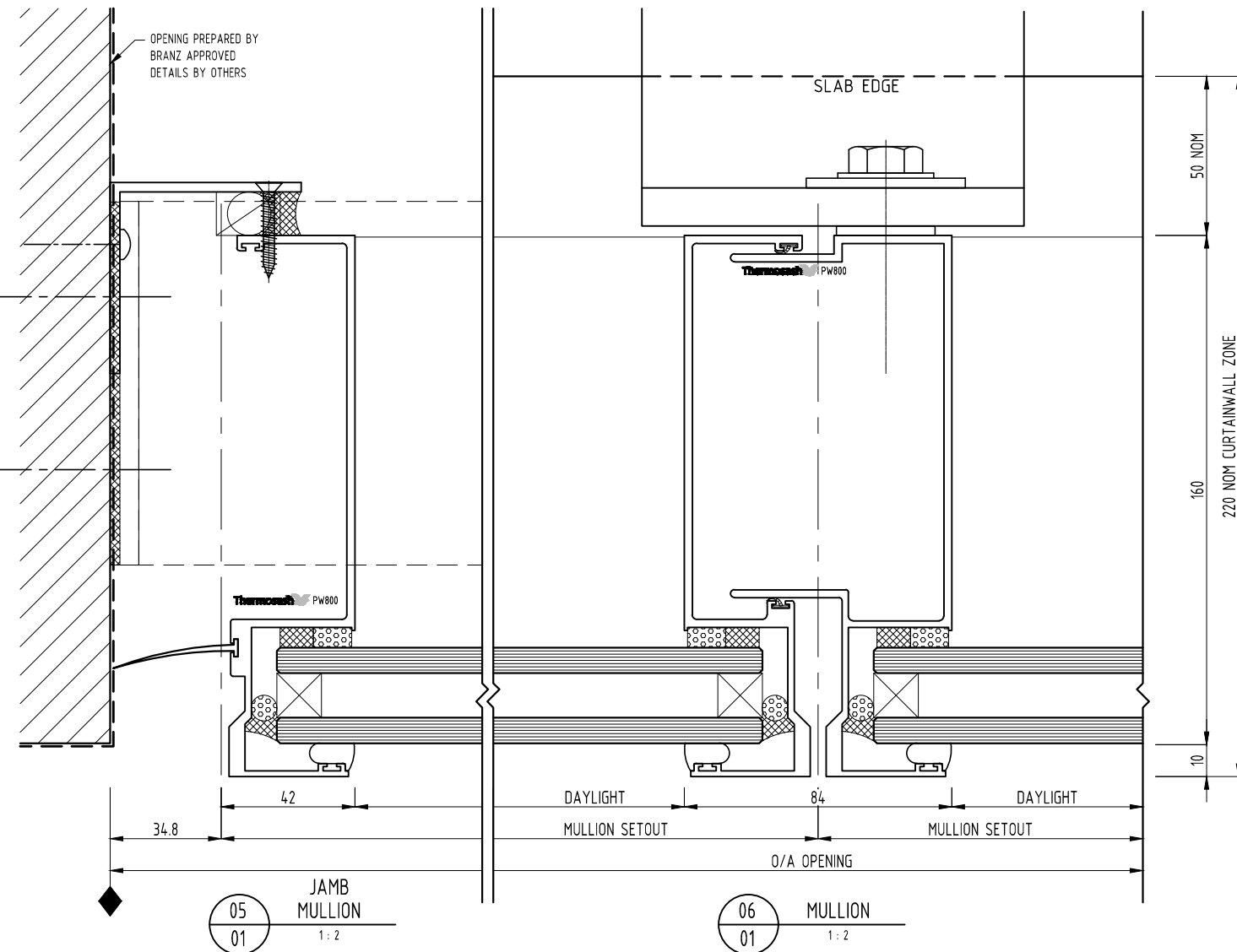
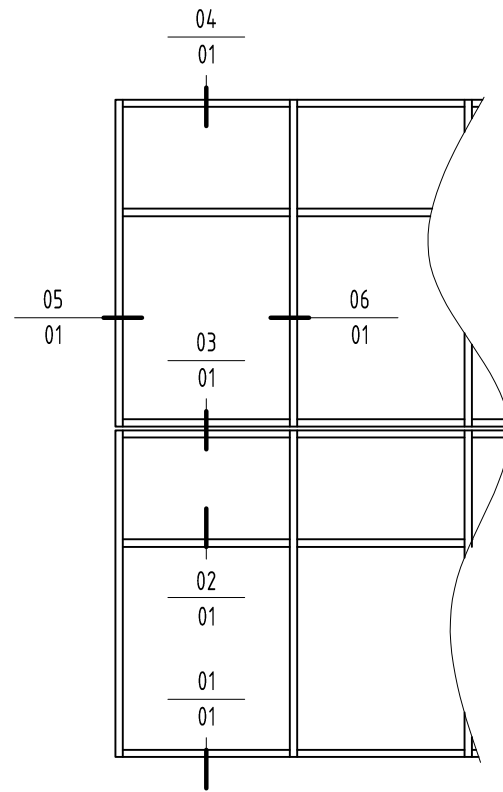


NOTES:  
 1) DRAWING TO BE USED IN CONJUNCTION WITH 'MASTERSPEC' (4211)  
 2) WINDOW SYSTEMS REQUIRE SPECIFIC DESIGN DEPENDING ON SPANS, WIND-LOADS, BUILDING CONDITIONS, ETC.  
 3) INSIDE GLAZE, INTERNAL REINFORCEMENT AND SEISMIC FRAME OPTIONS AVAILABLE

GLAZING: GLASS THICKNESS TO SUIT REQUIREMENTS  
 HARDWARE: STANDARD HARDWARE OPTIONS  
 FINISHES: POWDER-COAT / ANODISED / PVF<sup>2</sup>

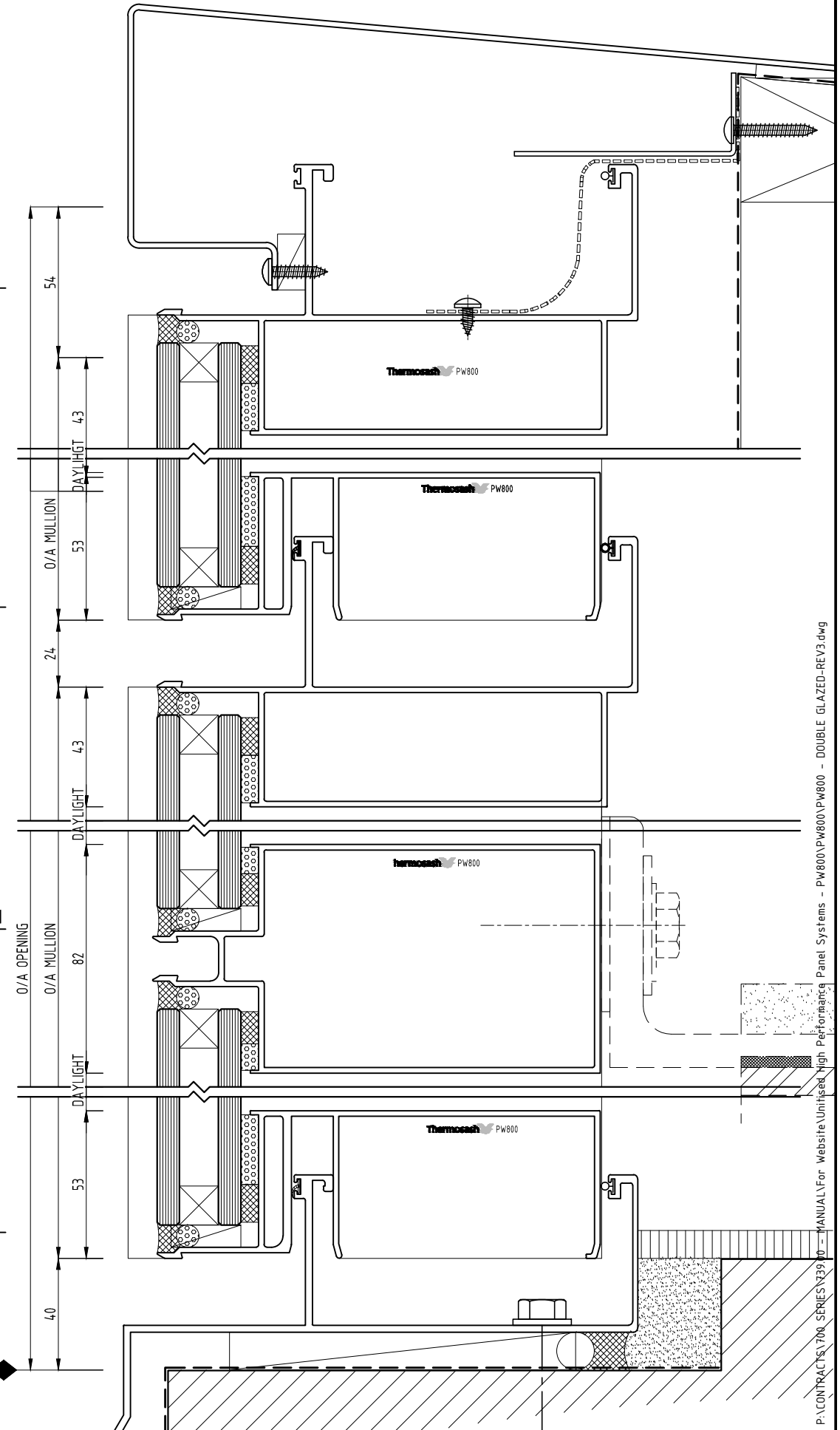


04 01 PARAPET HEAD  
1:2

03 01 TRANSOM  
1:2

02 01 SPLIT TRANSOM  
1:2

01 01 SILL TRAY  
1:2



SYSTEM :  
 PW800  
 UNITSISED HIGH PERFORMANCE PANEL  
 SYSTEM  
 www.thermosash.co.nz ~ AUCKLAND: (09)444-4944 ~ WELLINGTON: (04)939-4500 ~ CHRISTCHURCH: (03)348-4004

TYPE :  
 160 MULLION  
 DOUBLE GLAZED  
 SCALE: 1:2 @ A3  
 DATE: 15-01-18  
 PAGE: PW800-01

SCALE: 1:2 @ A3  
 DATE: 15-01-18  
 PAGE: PW800-01



P:\CONTRACTS\706 SERIES\3910 - MANUAL\For Website\Unitsised High Performance Panel Systems - PW800\PW800\PW800 - DOUBLE GLAZED-REV3.dwg