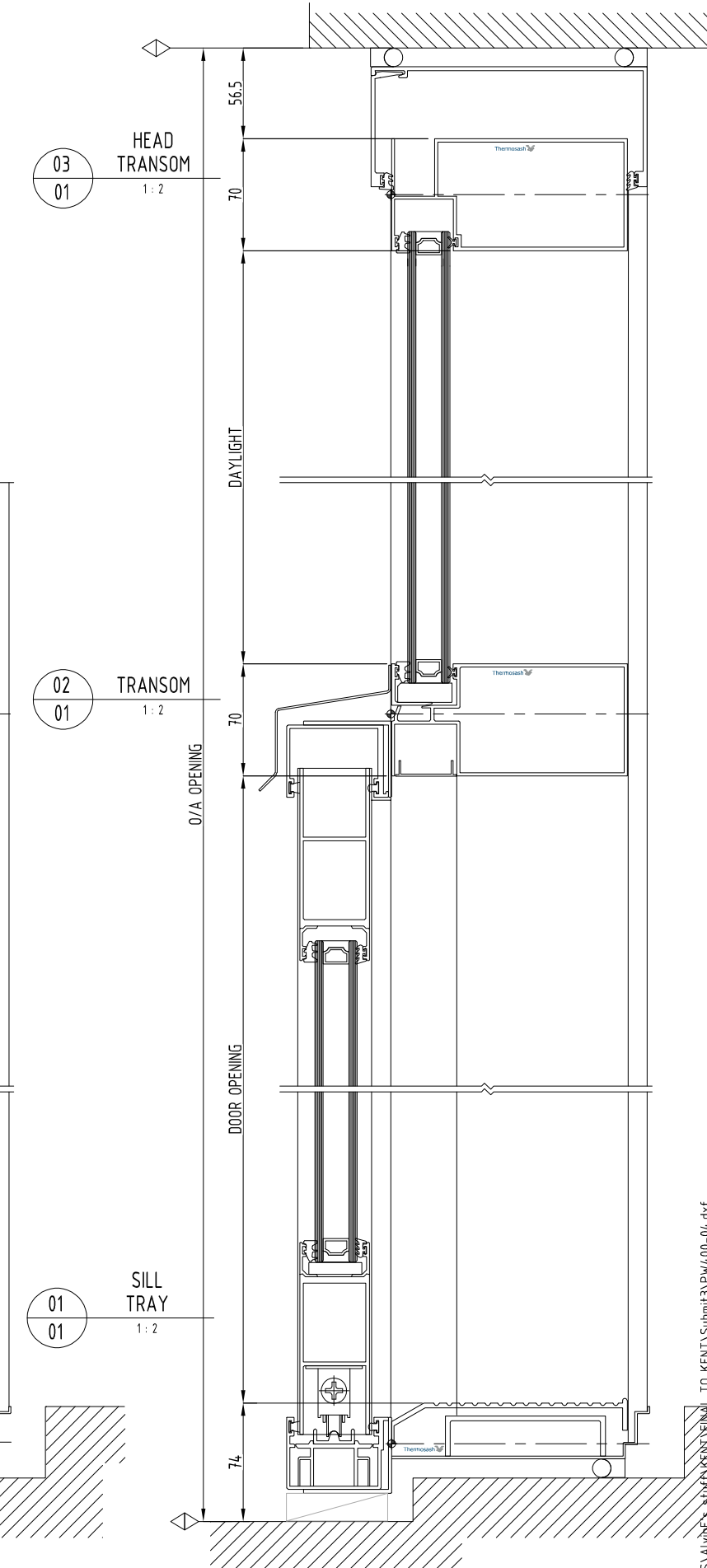
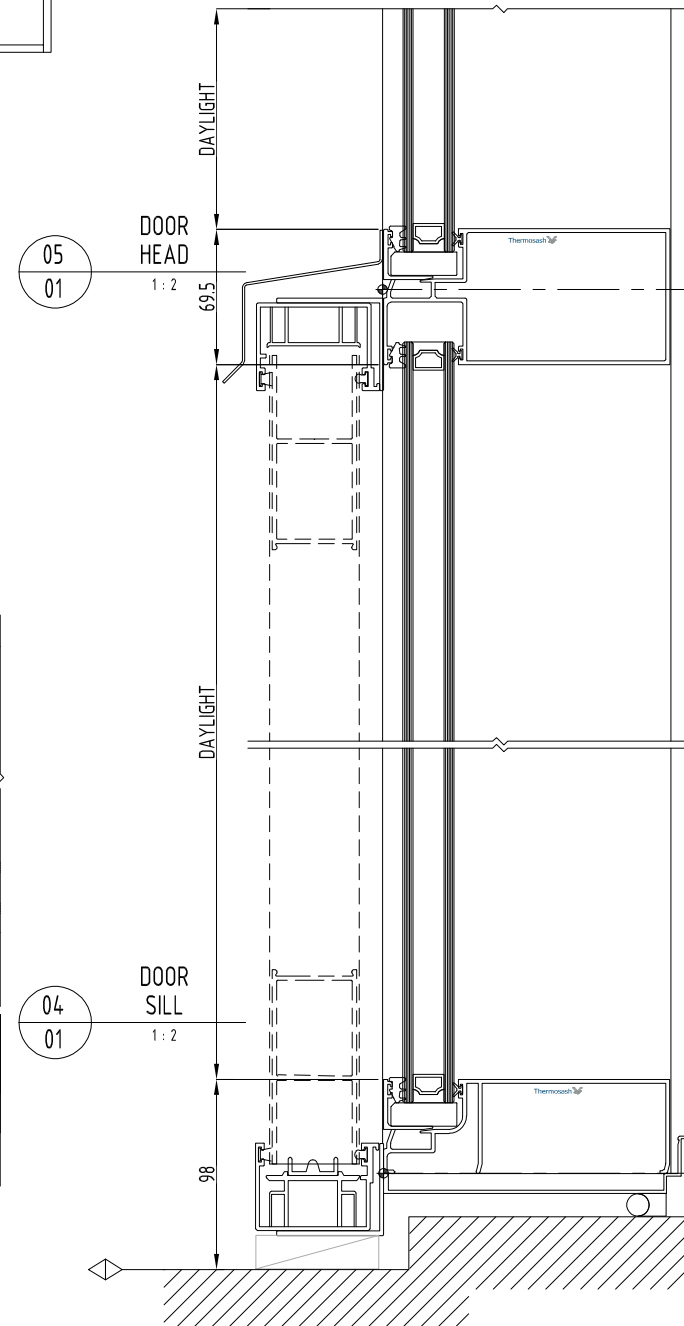
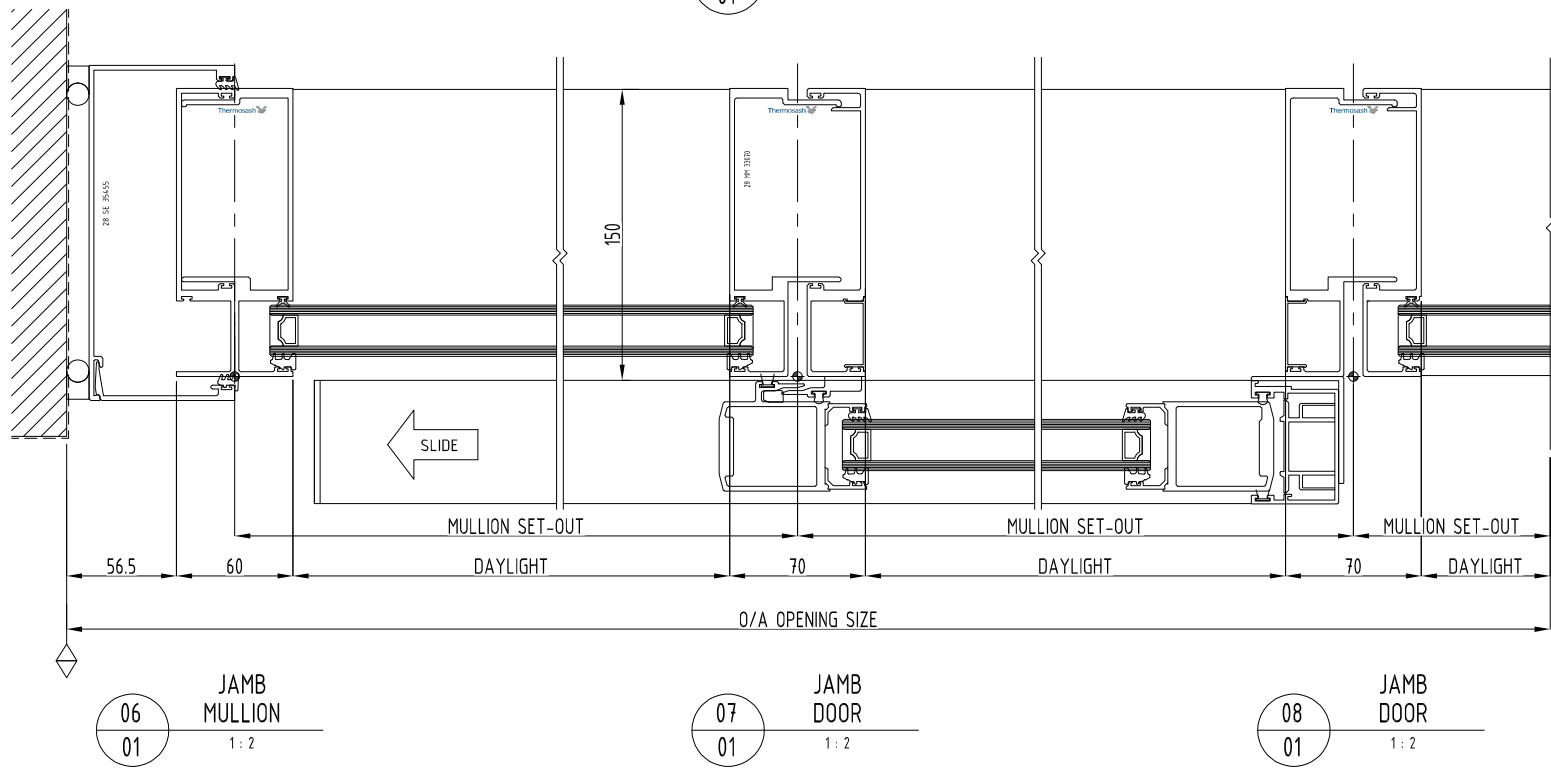
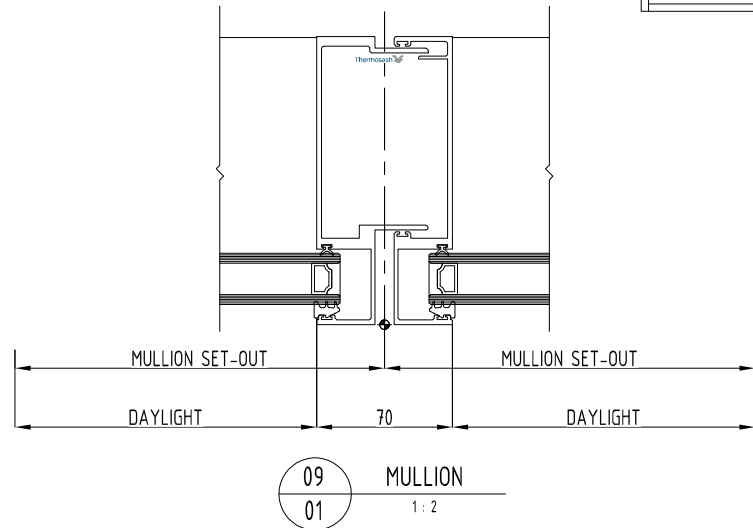
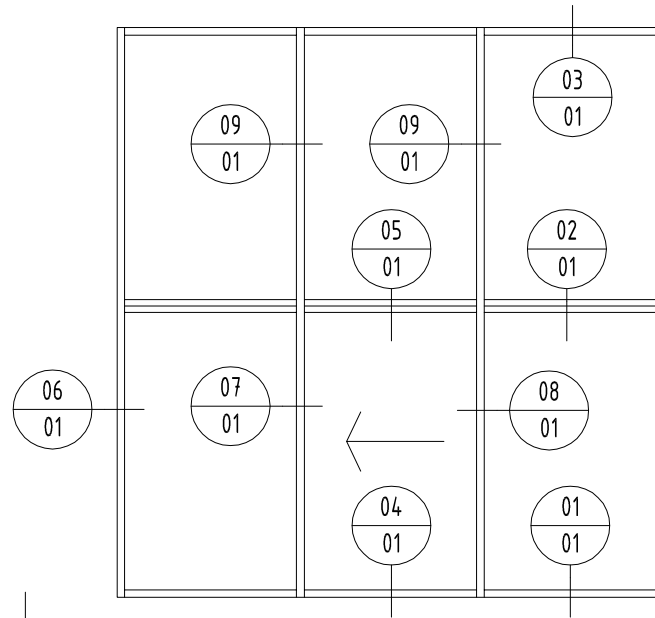


NOTES:  
 1) DRAWING TO BE USED IN CONJUNCTION WITH 'MASTERSPEC' (4211)  
 2) WINDOW SYSTEMS REQUIRE SPECIFIC DESIGN DEPENDING ON SPANS, WIND-LOADS, BUILDING CONDITIONS, ETC.  
 3) INSIDE GLAZE, INTERNAL REINFORCEMENT AND SEISMIC FRAME OPTIONS AVAILABLE

GLAZING: GLASS THICKNESS TO SUIT REQUIREMENTS  
 HARDWARE: STANDARD HARDWARE OPTIONS  
 FINISHES: POWDER-COAT / ANODISED / PVF<sup>2</sup>



SYSTEM :  
 PW400  
 UNITISED HIGH PERFORMANCE PANEL  
 SYSTEMS

TYPE :  
 150 MULLION  
 DOUBLE GLAZED  
 SEISMIC WITH MANUAL SLIDING DOOR

SCALE:  
 1:2 @ A3

DATE:  
 Sep-20

PAGE:  
 PW400-04

www.thermosash.co.nz ~ AUCKLAND: (09)444-4944 ~ WELLINGTON: (04)939-4500 ~ CHRISTCHURCH: (03)348-4004



T:\USERS\A\A\NE'S\SUBMIT\KENT\FINAL TO KENT\submit3\PW400-04.dxf